

Mirror
0802-M1-7900

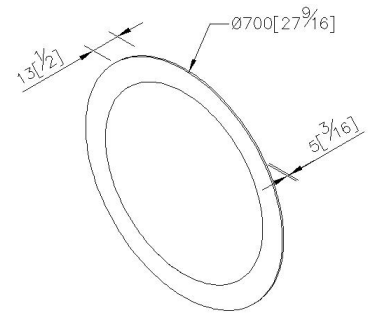
INTRODUCTION:

Simple and elegant design of base brings the fashion into the bathroom space. This series present the artistic tension and show more marvelous beauty.



DESCRIPTION:

- 1.mirror (5*700*700mm)
- 2.Explosion-proof film (made in Germany) over the entire back
- 3.With screw bag



unit: mm[inch]

Certification:

Fixing Kits:

- 1.

AWARD: