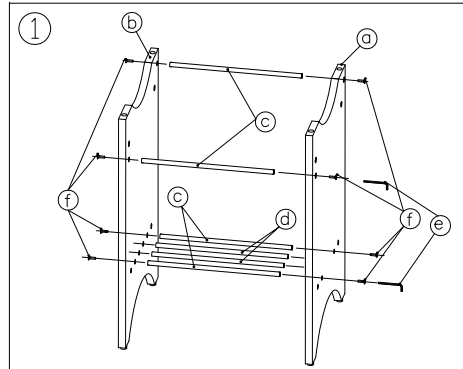
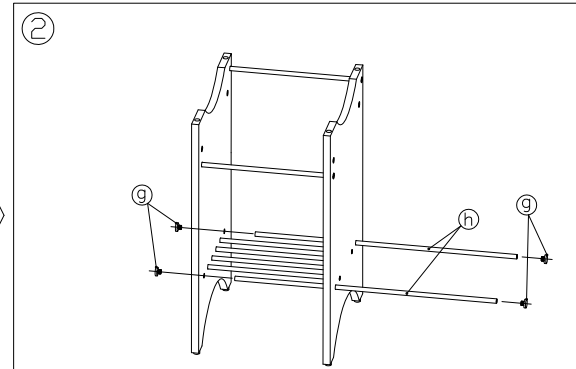


INSTALLATION GUIDE

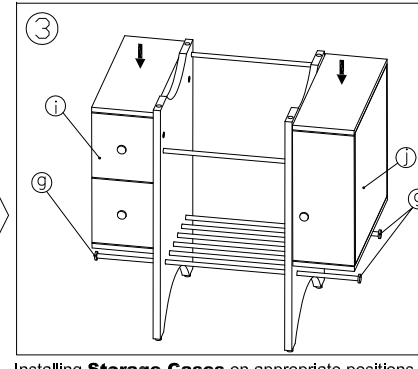
BASIN TABLE 枱面組安裝說明



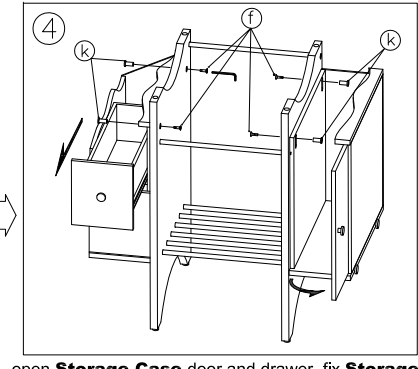
Assembling main parts with attached **Hexagon Key** as shown in figure ①.
用六角板手安裝主要的零件, 如圖①。



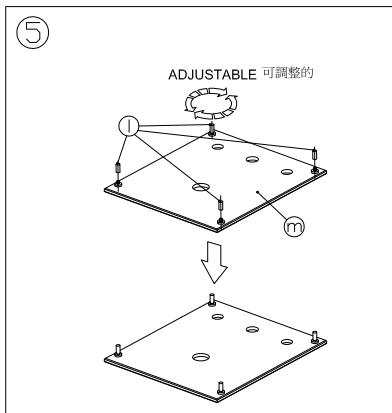
Assembling **77cm-Length Tubes** as shown in figure ② do not tighten **End Caps** before fix **Storage Cases**.
安裝77公分長銅管, 如圖②, 在固定木櫃組前, 不要將銅管把手蓋完全鎖緊。



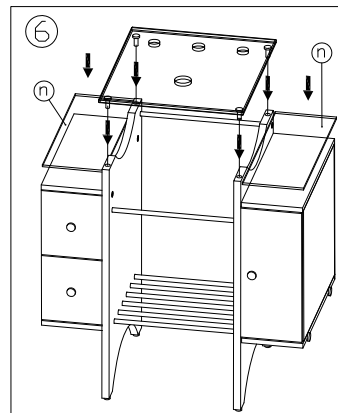
Installing **Storage Cases** on appropriate positions as shown in figure ③.
在適當的位置放置木櫃組, 如圖③。



open **Storage Case** door and drawer, fix **Storage Cases** with **Hexalobular Socket Screw** and **Cap Nut** as shown in figure ④ Adjust and tighten **End Cap** for fix these two **Storage Cases**.
打開木櫃組的門和抽屜, 用內六角壁狀螺絲和螺帽將木櫃組固定, 如圖④ 調整銅管把手蓋使 2木櫃組固定。

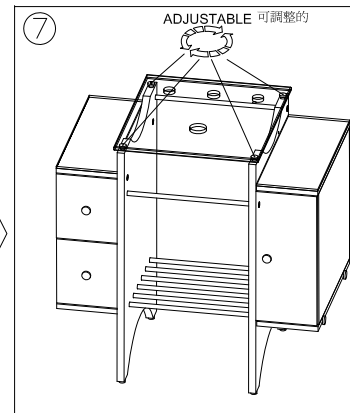


Screwing **Adjusting Holders** on **Tempered Table Glass**. ⑤
在玻璃檯面上鎖上四個可調整支撐架。



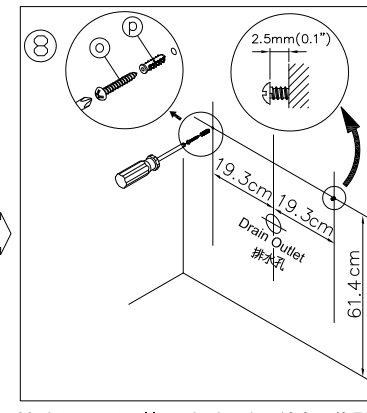
Install **Tempered Table Glass** as shown in figure ⑥, placing four **Adjusting Holders** into holes for fix it. Then install **Top Glasses** on each top of **Storage Case**.

安裝玻璃檯面, 如圖⑥, 將4個可調整支撐架固定於適當位置, 爾後, 在左右木櫃組上方置放玻璃平台。



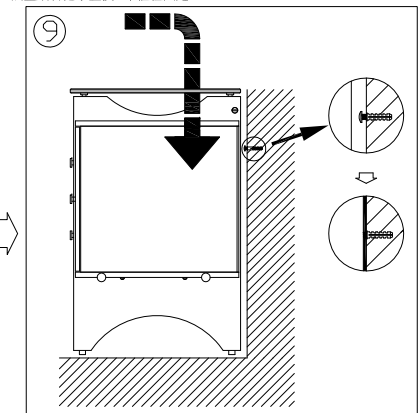
Level **Tempered Table Glass** by twisting **Adjusting Holders**. ⑦

旋轉在玻璃檯面的可調整支撐架, 並調整桌面水平, 即完成檯面組裝。



Mark two vertical lines both sides 19.3cm(0.76") from the center of drain outlet, and meantime, using assembled table-keyholes as template or mark and drill two fixing holes for **Stainless Steel Wall Screws** as shown in figure ⑧.

用鉛筆在距離牆上排水孔左右各19.3公分處, 並在高度61.4公分處畫上2個鎖螺絲的記號, 在畫上記號前, 必須注意牆角及地面是否平整且與牆面垂直, 並再次確認記號間與地面的距離, 填入塑膠塞並使之齊平於牆面, 不要將不銹鋼螺絲全部鎖緊, 調整到如圖面所示的適當位置, 螺絲頭與牆面須留2.5mm的距離。



Insert two **Stainless Steel Wall Screw** heads into keyholes on the back of **L & R Side Boards** and press downward. Be sure the basin table is flush and tighten to wall. ⑨

將左右側腳板後方的孔嵌入二處的螺絲頭並且向下按壓, 確認腳板是否完全卡緊, 並使之齊平牆面。

FIXING CONTENTS

組配件內容

<p>① Wooden side-Board(R) X1 右側腳板</p>	<p>③ 39cm-Length tub W/Internal Thread X4 銅管 39公分長(內牙)</p>	<p>⑤ Hexagon Key X1 六角板手</p>	<p>⑦ End Cap X4 銅管把手蓋</p>	<p>⑨ Storage Case X1 木櫃組</p>	<p>⑪ Cap Nut X4 螺帽</p>	<p>⑬ Tempered Table Glass X1 玻璃檯面</p>	<p>⑮ Stainless Steel Wall Screw X2 不銹鋼螺絲</p>
<p>② Wooden side-Board(L) X1 左側腳板</p>	<p>④ 39cm-Length Tub X2 銅管 39公分長</p>	<p>⑥ Hexalobular Socket Screw X12 內六角壁狀螺絲</p>	<p>⑧ 77cm-Length Tub X2 長銅管 77公分長</p>	<p>⑩ Storage Case X1 木櫃組</p>	<p>⑫ Adjusting Holder X4 可調整支撐架</p>	<p>⑭ Top Glass X2 玻璃平台</p>	<p>⑯ Plastic Anchor X2 塑膠塞</p>