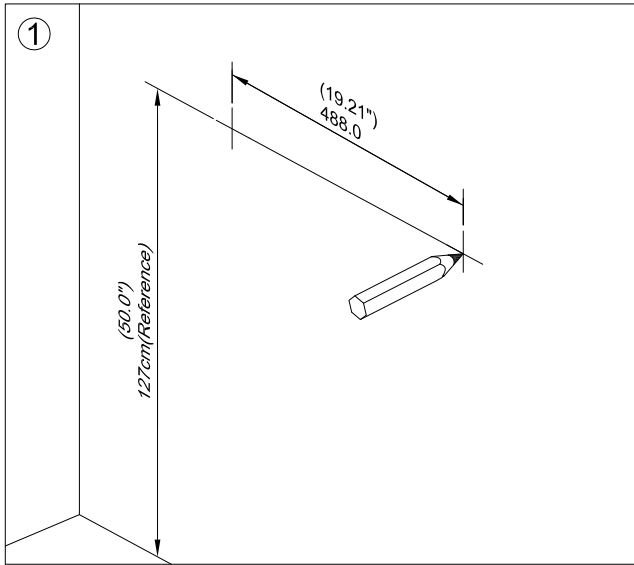


INSTALLATION GUIDE

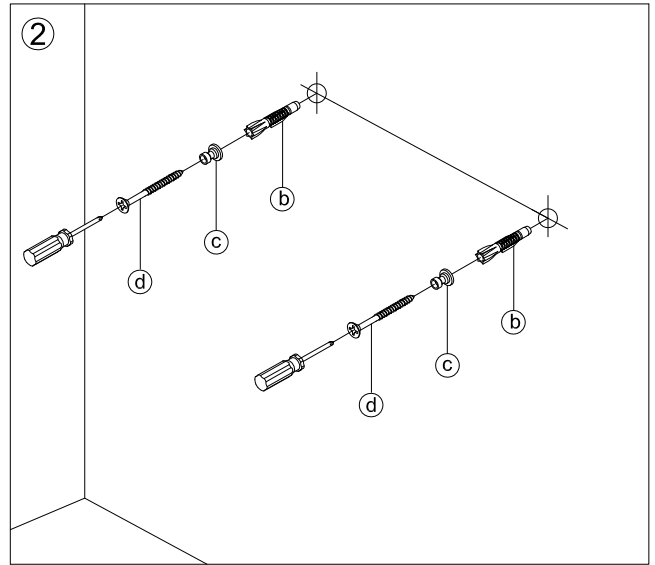
WOODEN SHELF

實木置物平台安裝說明



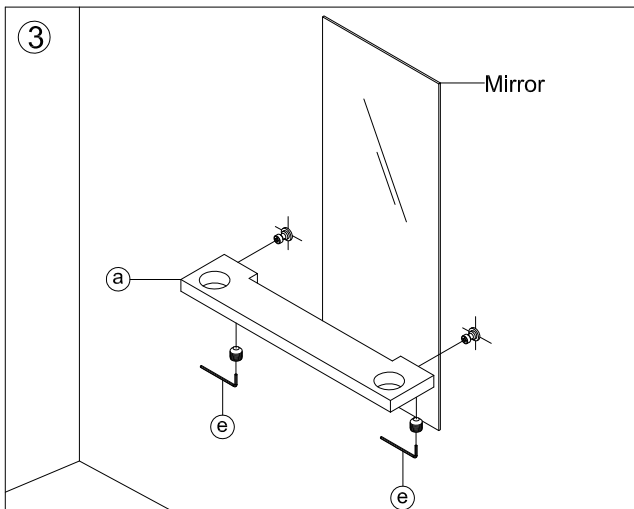
Mark 2 drill hole locations with a pencil on fixed dimension height position as shown in figure #1.

如圖示用鉛筆標示二個鑽孔位置點，必須注意牆角及地面是否平整且與牆面垂直，並再次確認二個記號間與地面的距離。



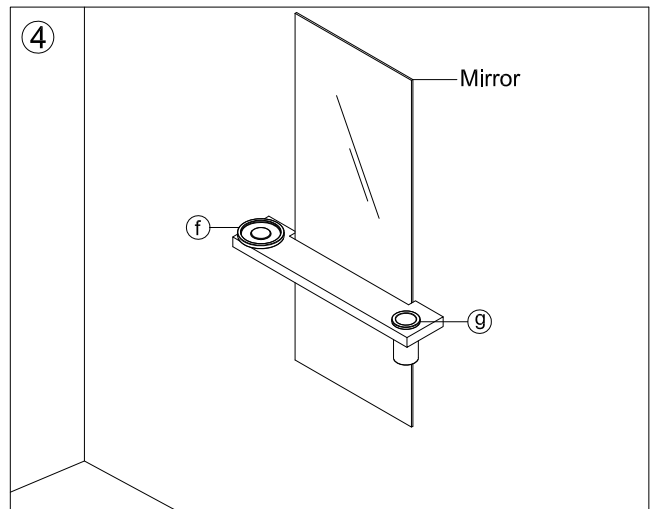
Using a 6mm drill-bit, drill the holes at marked positions to depth of 4cm. Insert the **Plastic Anchors** to the holes on the wall, put the **Screws** through the **Brackets**, then screw into the **Plastic Anchors**.

當安裝在水泥牆，使用1/4英寸鑽頭，鑽孔深度4公分，嵌入塑膠塞並使之齊平於牆面，將固定基座以螺絲鎖緊在牆上。



Use the **Hex Key** to loosen the **Set Screws** from the bottom of **Wooden Shelf**, slide the **Wooden Shelf** over the **Bracket** and tighten **Set Screws** as shown in figure #3.

用隨附六角板手先鬆開平台下方的埋頭螺絲，使平台能順利套進固定基座後，再鎖緊下方的埋頭螺絲。



Put the **Soap Dish** and **Tumbler** on the **Woodle Shelf** as shown in figure #4.

將肥皂盤和漱口杯放置平台上，完成安裝程序。

FIXING CONTENTS

組配件內容

