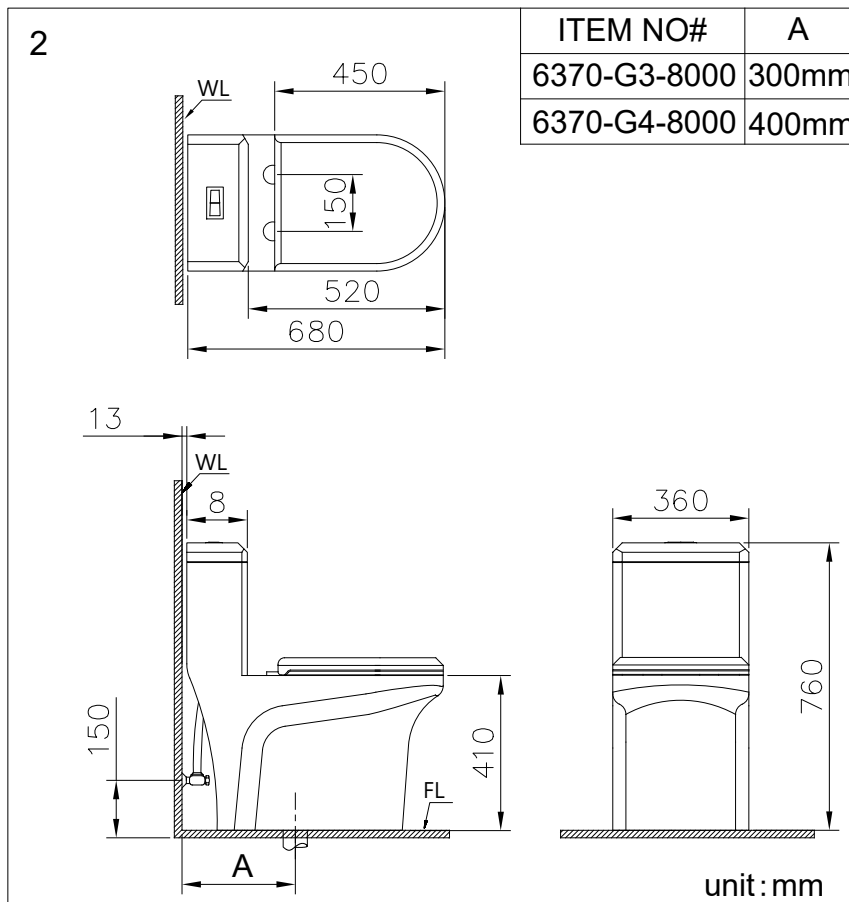


INSTALLATION INSTRUCTIONS

TOILET

單體馬桶安裝說明(濕式安裝)



- The 2 holes at the bottom of the toilet needs to be sealed with silicon to prevent odor from oozing or pests from entering, and then cement the oil sludge at the bottom. The water inlet at the rear part of the toilet is attached to the braided hose.
馬桶底部2孔須先用矽利康膠塞住避免異味滲出或害蟲進入,再將油泥黏在馬桶底,馬桶後測進水口端鎖上編織管。
- Apply cement to areas that need to be installed, and then adjust the toilet into position with spirit level. After attaching the high-pressure hose at the back to the triangular valve, conduct water supply and drainage test. After that, soak the sponge, and wipe off excess cement to finish installation.
將馬桶要安裝的範圍抹上水泥,馬桶放置安裝位置,用水平尺將馬桶調整到水平。將馬桶後方的高壓軟管鎖到三角凡而上後,進行進水與排水測試。試水完成後,便可將海綿沾溼,把多餘的水泥擦拭乾淨,完成安裝。

FIXING CONTENTS

組配件內容

