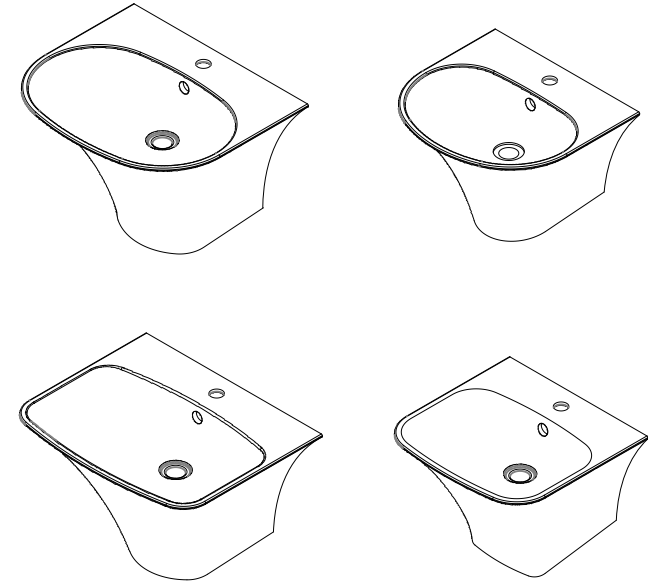


INSTALLATION INSTRUCTIONS

6515安裝說明

6515
SERIES:



1. Select proper position for installation, paste this **Template** on wall, and make sure the drilling holes on the same level. Mark at the hole centers, and then drill $\varnothing 12.7\text{mm}$ ($\frac{1}{2}$ ") holes for **Basin** and $\varnothing 10\text{mm}$ holes for **Bracket** to 70mm depth.

請先選取預定安裝的位置，於牆壁貼上鑽孔定位紙，並確認鑽孔位置是在同一水平線上後，劃記並鑽孔，臉盆使用 $\varnothing 12.7\text{mm}$ ($\frac{1}{2}$ ")鑽頭，支撐架使用 $\varnothing 10\text{mm}$ 鑽頭。

2. Remove **Template**, and fix **Bracket** with the **Anchor Bolts (Bracket)**. Insert **Anchor Bolts (Bracket)** with hammer to the hole end and tighten **Anchor Bolts (Bracket)** with Adjustable Wrench.

將鑽孔定位紙取下，並安裝支撐架至牆面上，膨脹螺絲(支撐架用)先敲至洞孔底後，再使用活動或開口扳手鎖緊螺絲，固定住支撐架。

3. Insert the **Anchor Bolt (Basin)** with hammer to the hole end, remove **Nut, Rubber Gasket** and one **Washer**. Fix the **Basin** with **Washer, Rubber Gasket**, and **Nut** in sequence, and then tighten **Nut** with Adjustable Wrench to complete the installation.

將膨脹螺絲(臉盆用)敲至洞孔底，只取出螺帽、橡皮墊圈和一片華司。再將臉盆裝上，依序套入螺帽、橡皮墊圈和華司，再使用活動或開口扳手鎖緊螺帽，固定住臉盆完成安裝程序。

