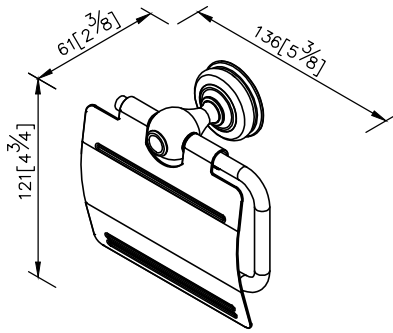


Toilet Tissue Holder W/Lid
6703-41-80CP



1. Brass of forging body meets JIS 3604 standard
2. Premium metal construction for durability
3. Justime finishes resist corrosion and tarnish
4. Finish meets the standard of ASTM-SC2
5. Correctly installed product's loading is 5 kg f
6. Equipped with stainless steel screws for secure installation
7. Coordinates with other products in Classik collection

unit: mm[inch]

