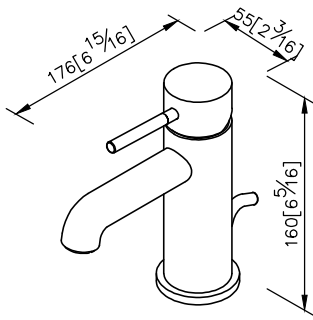


Basin Faucet W/Lift Rod
6765-90-81P1



unit: mm[inch]

- 1.Brass of casting body meets ISO CuZn40Pb standard.
- 2.Premium metal construction for durability.
- 3.Justime finishes resist corrosion and tarnish.
- 4.Finish meets the standard of ASTM-SC2.
- 5.Shower hose with SANTOPRENE tube (meets NSF approval), can stand 10Kg/cm2 water pressure and 120°C heat.
- 6.Stainless steel braided hose with M10 x 1.0mm (Male thread connect to faucet body) and 1/2"-14NPSM (Female thread connect to water supply system).
- 7.Stainless steel braided hose with SANTOPRENE tube (meets NSF approval), can be stood 10 Kg/cm2 water pressure and 120°C heat.
- 8.Coordinates with other products in Pan1 collection.

