

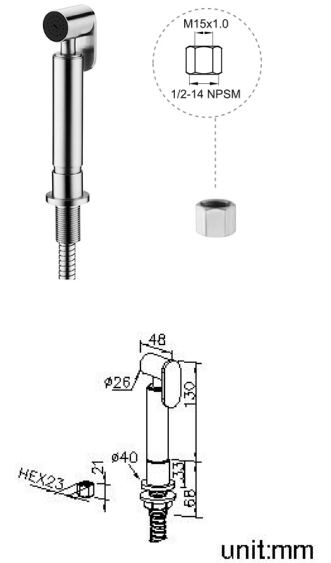
Sprayer 6771-WK-82CP

INTRODUCTION:

The simply shaped and perfect function. Inspired by the main design conception of "Less is More," Still One used brief lines and a simple model to integrate the practicality and elegance with the concise design style. It also fits for the general kitchen arrangement- small and saving space.

DESCRIPTION:

1. Material of sprayer is Stainless Steel, has passed over 100,000 times lifespan test. The plastic cover on sprayer could be took apart by 4.0mm Hex Wrench for easily cleaning.
2. With precise manufacture, the sprayer can stand the pressure from 1kg to 5kg.
3. Stainless steel braided hose with SANTOPRENE tube (meets NSF approval), can stand 15Kg/cm² water pressure and 120°C heat.
4. Material is Brass with Chrome plated and meets ASTM-SC2 standard.



Certification:

Fixing Kits:

1. N/A

AWARD: