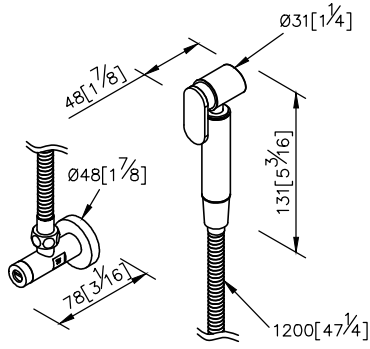


Sprayer W/Angle Stops & 120cm Hose
6771-WS-82CP



unit: mm[inch]

1. Material of sprayer inner parts are Stainless Steel, sprayer has passed over 100,000 times lifespan test.
2. The plastic cover on sprayer could be took apart by 4.0mm Hex Wrench for easily cleaning.
3. With precise manufacture, the sprayer can stand the pressure from 1kg to 5kg.
4. Material of hose inner tube is PVC, it can stand the heated 60

