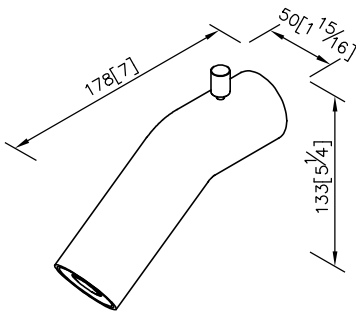


Tub Spout W/Diverter
6777-9V-80MA



1. The mixing valve could be installed in the cemented and wood wall.
2. Brass of forging body meets JIS 3771 standard.
3. Easy-pull diverter for changing water stream flow.
4. Coordinates with other products in LUCKY 7 Collection.

unit: mm[inch]

