

Two-Way Bib Tap 6779-L3-80CP

INTRODUCTION:

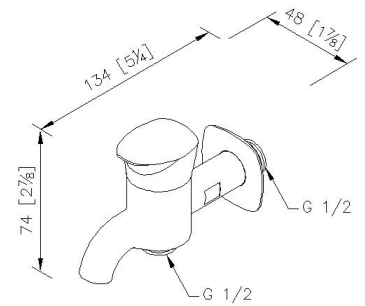
Design Team created the Pan 2 Faucets with concise style, and integrated rectangular and circular lines into the shape design to fit for different basins easily and provide users various choices. Though it has just used the most basic geometric elements, the design team also varied the faucets to be special and bring the positive benefit for bathroom.

"Pan-," a combining form meaning "all." We are eager to hope all users would have chances to experience our high-quality products, and it could start from this Pan Series which has perfect harmony with various basins and bathroom designs.



DESCRIPTION:

1. Mixing the circle and square, and the simple, but unique handle, it shows out the creative elegance.
2. The connecting thread of main body is G 1/2.
3. Water flow could be diverted to 2 water outlets.
4. Past 500,000 times lifespan test.
5. Material of faceplate is stainless steel SUS 304.
6. With G 1/2 to water supply wall outlet.
7. Chrome plated finish meets the standard of ASTM-SC2.
8. Material of sand-casting body meets ISO CuZn40Pb standard.



unit: mm[inch]

Certification:

Fixing Kits:

1. N/A

AWARD:



DESIGN
AWARD
2016



台灣精品
TAIWAN EXCELLENCE
2016