

## Single-Handle Concealed Valve (Upward Outlet) 6779-XF-80CP

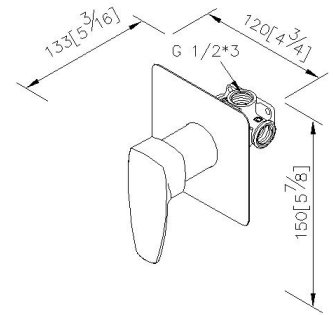
### INTRODUCTION:

To create a comfortable bathroom, we have to simplify the idea of its interior design. We would like to present a tidy, functional, but not monotone or narrow shower space for users. Therefore, modern designers have come up a "concealed" conception with bath fittings. By removing the exposed metal pipes, the interior space can be increased a lot, making the bathroom more hygienic and natural. Eventually, taking a shower would be pleased, rather than just functional.



### DESCRIPTION:

- 1.Brass of casting body meets ISO CuZn40Pb standard.
- 2.Premium metal construction for durability.
- 3.Justime finishes resist corrosion and tarnish.
- 4.Finish meets the standard of ASTM-SC2.
- 5.The mixing valve could be installed in the cemented and wood wall.
- 6.The burying depth of embedded body is between 2"(6cm) Min~3"(7.6cm) Max from the finished wall.
- 7.G1/2 inlet.
- 8.The faucet should be used at the water pressure from 1 to 6 kg/cm<sup>2</sup>.



unit: mm[inch]

### Certification:

### Fixing Kits:

- 1.SUS 304 Stainless Steel Screws\*1
- Hex Key 2.5mm\*1

### AWARD: