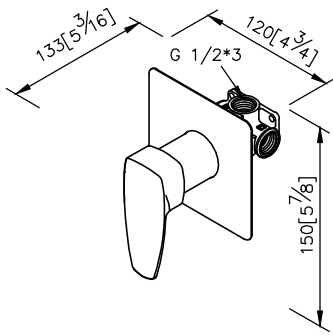


Single-Handle Concealed Valve 6779-XF-80CP



1. Brass of casting body meets ISO CuZn40Pb standard
2. Premium metal construction for durability
3. Justime finishes resist corrosion and tarnish
4. Finish meets the standard of ASTM-SC2
5. The mixing valve could be installed in the cemented and wood wall.
6. The burying depth of embedded body is between 2"(6cm)Min~3"(7.6cm)Max from the finished wall
7. G1/2 inlet
8. The faucet should be used at the water pressure from 1 to 6 kg/cm²

unit: mm[inch]

