

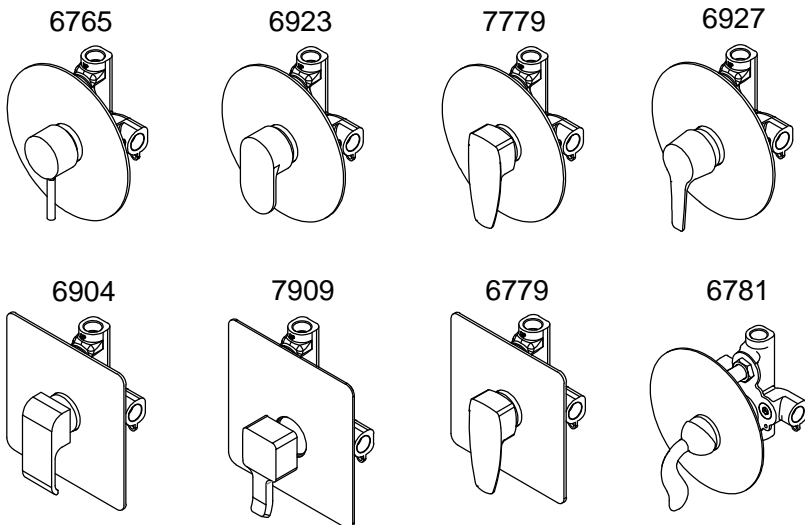
## INSTALLATION INSTRUCTIONS

### Single-Handle Concealed Valve

壁式單把雙控閥體安裝說明

Applicable Product Number:

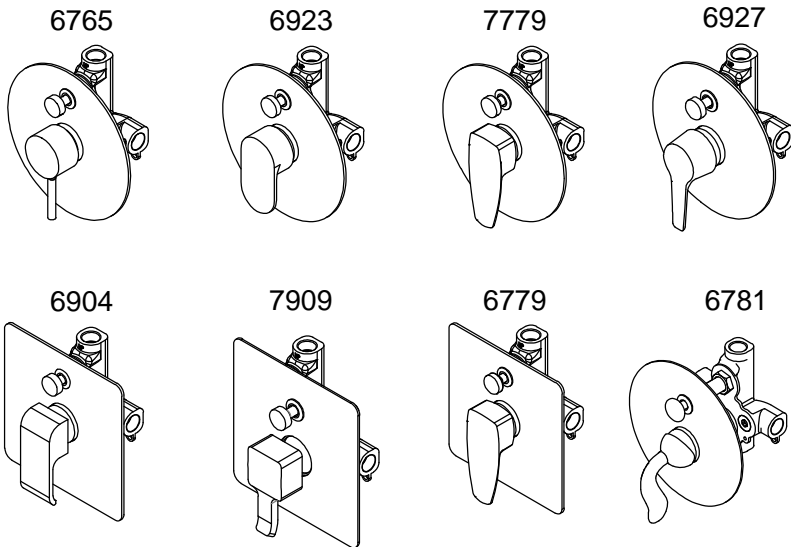
適用產品型號:



Inlet Stop 止水開關	Available Water Pressure 適用水壓	Available For Different Water Pressure 適用各種水壓
W/O Inlet Stop Version 無維修止水開關	6765-XM-80CP 6923-XM-80CP 7779-XM-80CP 6927-XM-80CP 6904-XM-80CP 7909-XM-80CP	6779-XM-80CP 6781-XM-80CP
W/O Inlet Stop Version (Slimmed-Down Valve) 無維修止水開關 (簡易型閥體)	6765-XN-80CP 7779-XN-80CP 6779-XN-80CP	
W/ Inlet Stop Version 有維修止水開關	6765-XP-80CP 6923-XP-80CP 7779-XP-80CP 6927-XP-80CP 6904-XP-80CP 7909-XP-80CP	6779-XP-80CP

# Applicable Product Number:

適用產品型號:



Inlet Stop 止水開關	Available Water Pressure 適用水壓	1~4kgf/cm <sup>2</sup>	4~6kgf/cm <sup>2</sup>		
W/O Inlet Stop Version 無維修止水開關		6765-XW-80CP 6923-XW-80CP 7779-XW-80CP 6927-XW-80CP 6904-XW-80CP 7909-XW-80CP	6779-XW-80CP 6781-XW-80CP	6765-XX-80CP 6923-XX-80CP 7779-XX-80CP 6927-XX-80CP 6904-XX-80CP 7909-XX-80CP	6779-XX-80CP 6781-XX-80CP
W/O Inlet Stop Version (Slimmed-Down Valve) 無維修止水開關 (簡易型閥體)		6765-XU-80CP 7779-XU-80CP 6779-XU-80CP	/		
W/ Inlet Stop Version 有維修止水開關		6765-XY-80CP 6923-XY-80CP 7779-XY-80CP 6927-XY-80CP 6904-XY-80CP 7909-XY-80CP	6779-XY-80CP 6781-XY-80CP	6765-XZ-80CP 6923-XZ-80CP 7779-XZ-80CP 6927-XZ-80CP 6904-XZ-80CP 7909-XZ-80CP	6779-XZ-80CP 6781-XZ-80CP

# CARE & CLEANING

## 清潔與保養

**CAUTION : This product might be damaged by improper installation, acid cleaning solution, misuse, improper care and cleaning.**

1. Always follow the INSTALLATION INSTRUCTIONS provided and use extreme care while installing.
2. Do not use acid cleaning solution or abrasive cleaner (Ex: Hydrochloric acid or toothpaste); test your cleaning solution on an inconspicuous area before applying to the entire surface.
3. Wipe surfaces clean and rinse completely with water immediately after applying cleaner. Do not soak with cleaners. Rinse and dry any overspray that lands on nearby surfaces.
4. Use a dampened sponge or cloth to clean surface. (Do not use abrasive material such as brush or scouring pad. )

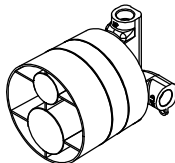
注意：此產品有可能因為不當安裝，誤用酸性清潔劑或清潔方式不正確而造成產品受損。

1. 產品安裝時必須依照產品所附的安裝說明和操作方式安裝。
2. 不可使用含有酸性或具研磨效果的清潔劑清洗（例如：鹽酸、牙膏），請先在產品較不顯眼的地方測試您的清潔方法，然後再應用到整個表面。
3. 產品塗佈清潔劑後，應立即擦拭除污，用清水沖洗，並擦乾產品和檯面。切勿讓清潔劑在產品表面浸濕潤漬過久。
4. 請使用濕海綿或乾淨棉布擦拭產品表面。（不可使用會刮傷或具研磨材質的刷子及鋼刷）。

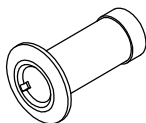
# FIXING CONTENTS

## 組配件內容

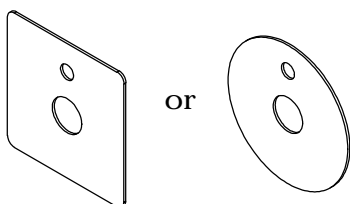
- A. Valve Body X 1  
(with Sealing Cover)  
牆壁內本體(含保護套筒)



- C. Connector X 1  
接頭



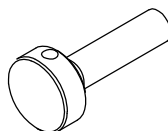
- E. Faceplate X 1  
面板



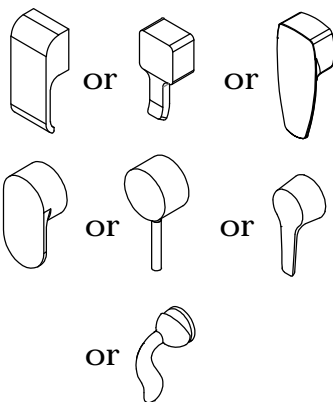
- F. C-ring X 2  
(Used if Water Pressure  
<math>1\text{kgf/cm}^2</math>)  
C型環(水壓低於 $1\text{kgf/cm}^2$ )使用



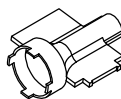
- B. Diverter Knob X 1  
(with set screw)  
拉桿頭(附內六角螺絲)



- D. Handle X 1  
(with set screw)  
把手(附內六角螺絲)



- G. JUSTIME TOOL X 1  
固定鑰匙



# FIXING CONTENTS

## 組配件內容

H. Hex Key (2.5mm) X 1  
六角扳手 (2.5mm)



I. Spare M5 Set Screw X 1  
內六角螺絲M5(另附備用)



J. Hex Key (2.0mm) X 1  
六角扳手 (2.0mm)



K. Spare M3 Set Screw X 1  
內六角螺絲M3(另附備用)

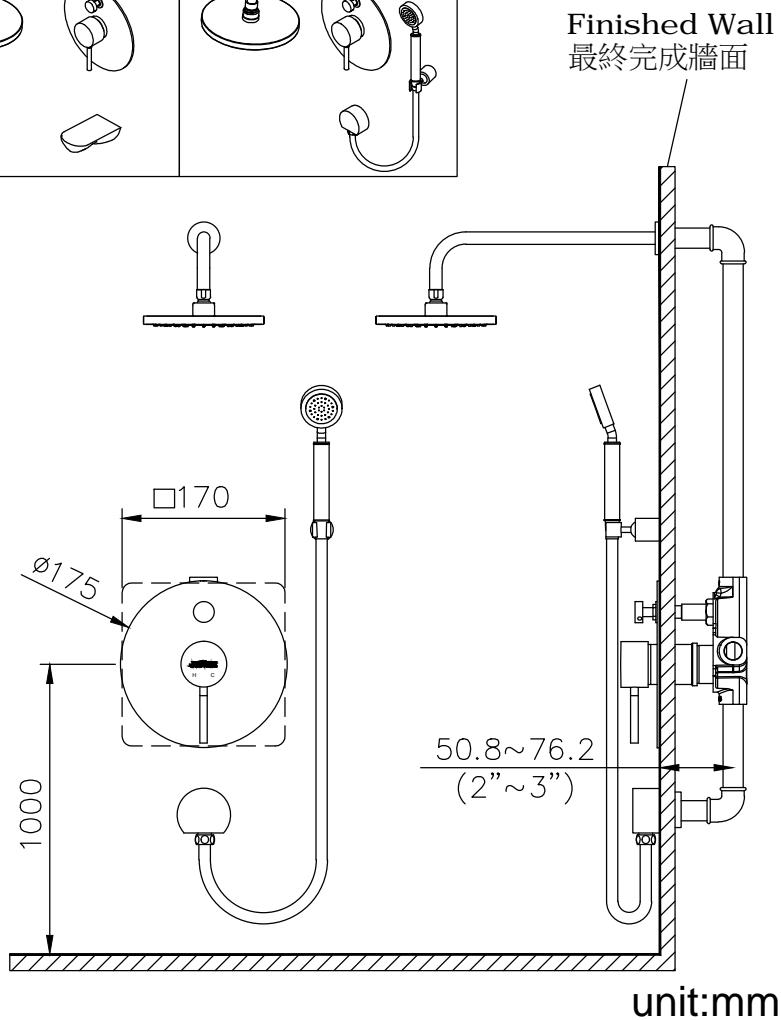
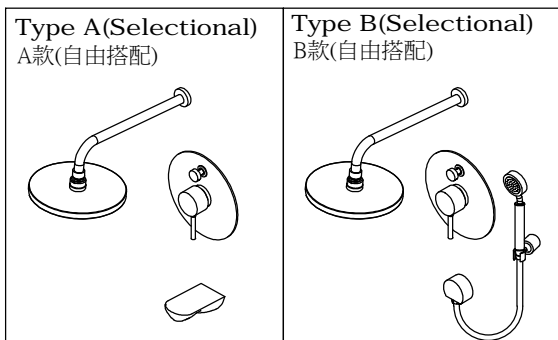


L. Sealing Plug  
止水塞頭



# Inside Pipe Arrangement

## 管路示意圖



# INSTALLATION NOTE

## 安裝注意事項

**⚠ CAUTION : Please read the following points carefully before installation.**

1. Keep the Valve Body be horizontal and parallel to the wall that will be finished.
2. Connect hot and cold supply pipes to the valve body, and keep the distance between 2"(5cm) minmum and 3"(7.6cm) maximum from the finished wall; or keep the distance be 1.34" (3.4cm) to 2.36" (6cm) between top of cartridge and Finished Wall for necessary conditions.

**⚠ CAUTION : Prevent The Risk of product damage.**

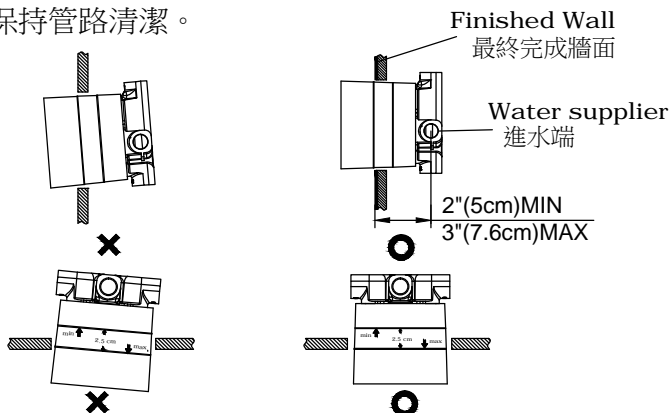
1. When finished installation, turn the valve on and run water for 1 minute to remove any debris before using.

**⚠ 注意：安裝前，請詳閱下列注意事項。**

1. 本產品安裝固定閥體於牆壁內側時，閥體需與牆壁保持平行。
2. 進水管中心與最終完成牆面的距離須保持在最小2"(5cm)到最大3"(7.6cm)之間，或陶瓷中心栓與最終完成牆面保持在最小1.34"(3.4cm)到最大2.36"(6.0cm)。

**⚠ 注意：為增加產品使用壽命，請依說明清潔供水管路。**

1. 完成安裝後，需在使用前先把供水開關全開排水持續一分鐘，去除雜質，以保持管路清潔。



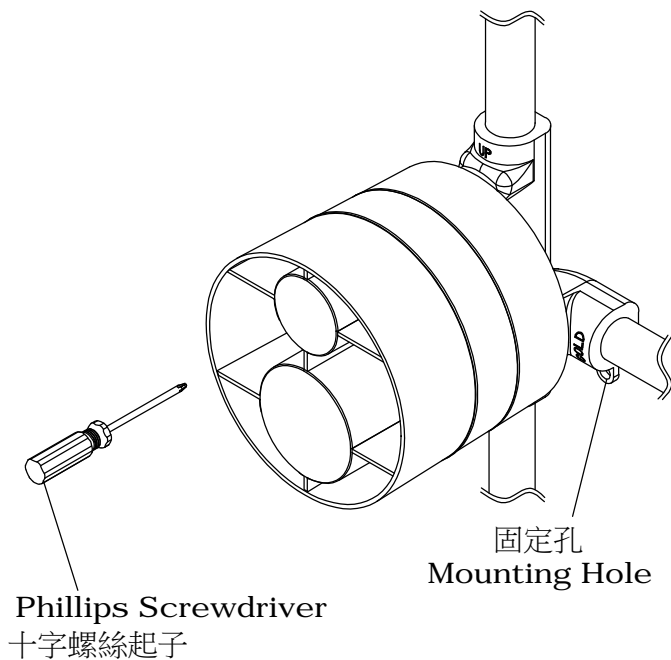
# INSTALLATION INSTRUCTIONS

## 安裝說明

1

Check Sealing Cover

檢查保護套筒



- \* Use **Sealing Cover** to protect the cartridge and thread until install **faceplate&Handle** .

在安裝面板及把手前請全程使用保護套筒保護陶瓷中心栓與螺絲。

- \* Use **Phillips Screwdriver** to ensure the Screws have been tightened .

使用十字螺絲起子確認螺絲是否有鎖緊。



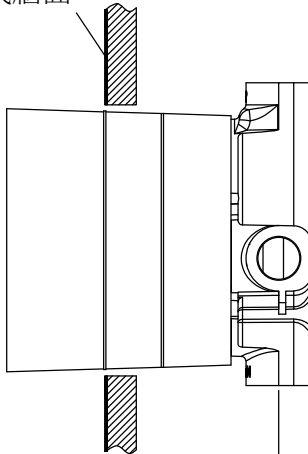
## 2

### Connect Water Pipes

連接水路

Finished Wall

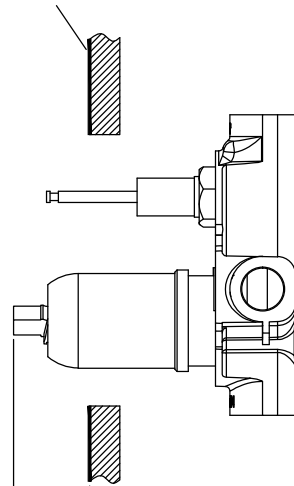
最終完成牆面



2"(5cm)MIN  
3"(7.6cm)MAX

Finished Wall

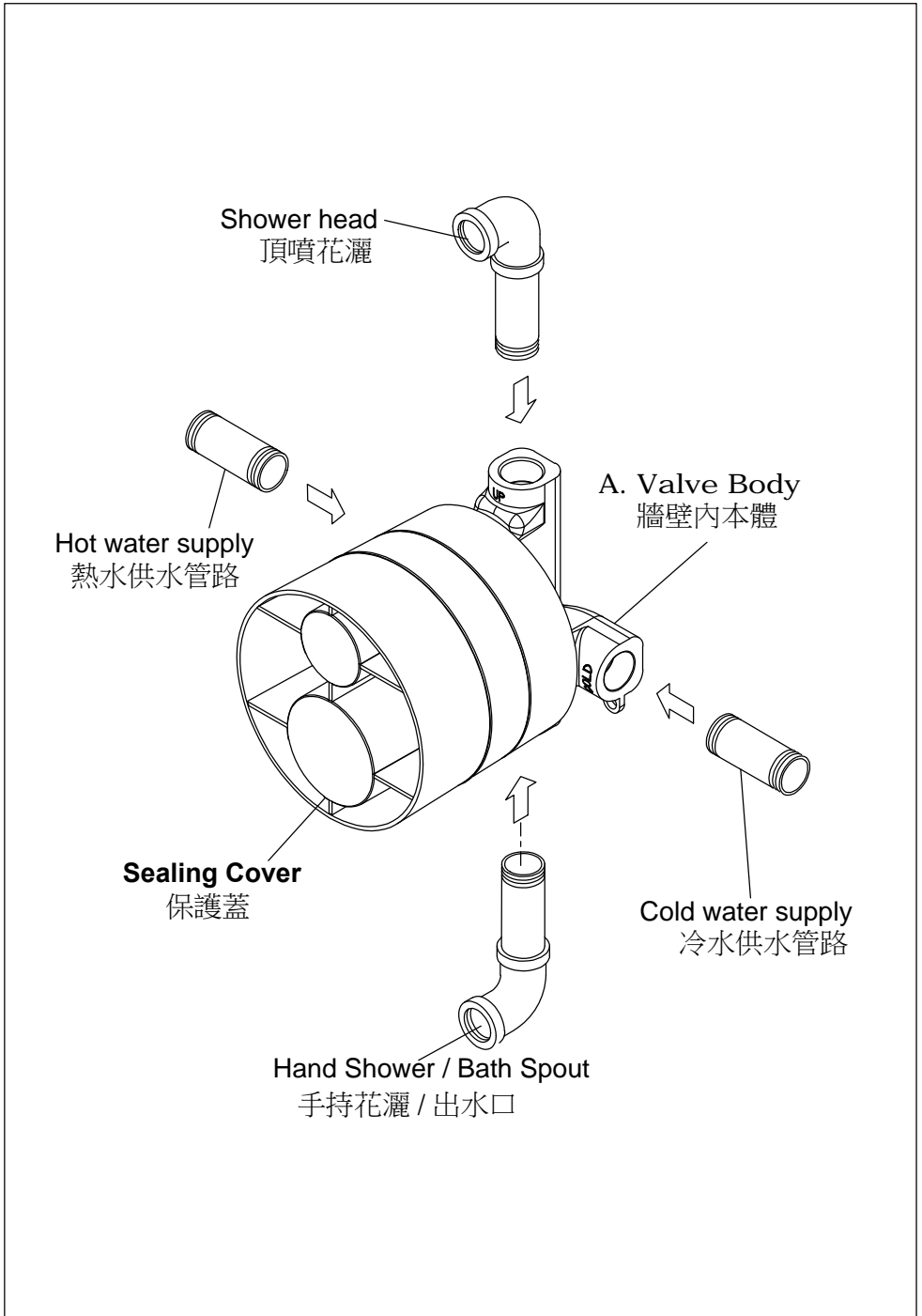
最終完成牆面

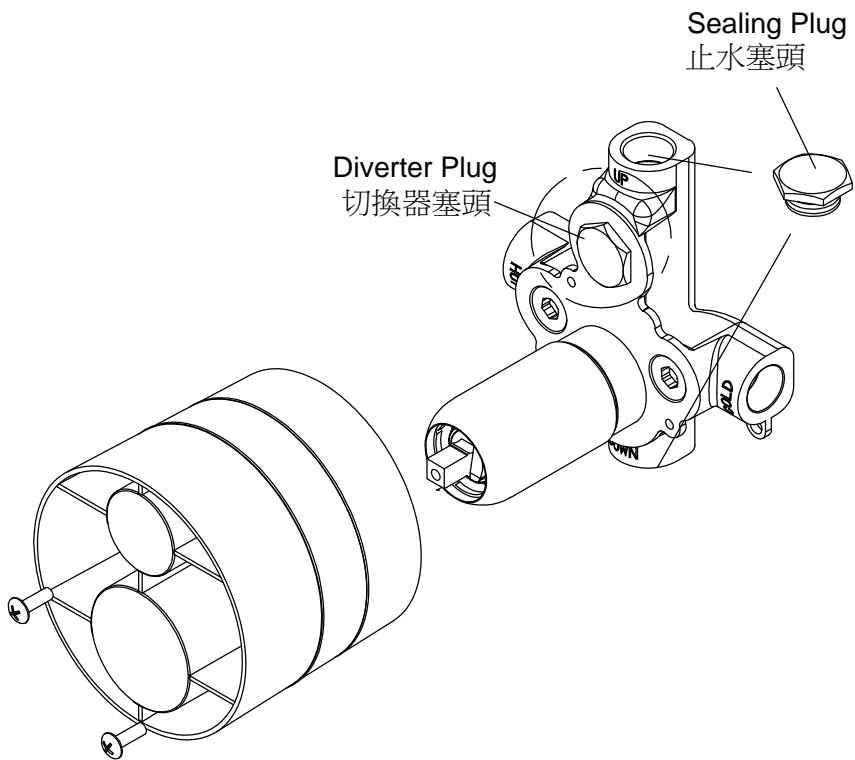


1.34"(3.4cm)MIN  
2.36"(6.0cm)MAX

- \* Connect hot and cold supply pipes to the valve body and meantime install outlet water ways, and keep the distance between 2"(5cm) minimum and 3"(7.6cm) maximum from the finished wall to the valve body; or keep the distance be 1.34"(3.4cm) to 2.36"(6.0cm) between top of cartridge and Finished Wall for necessary conditions.

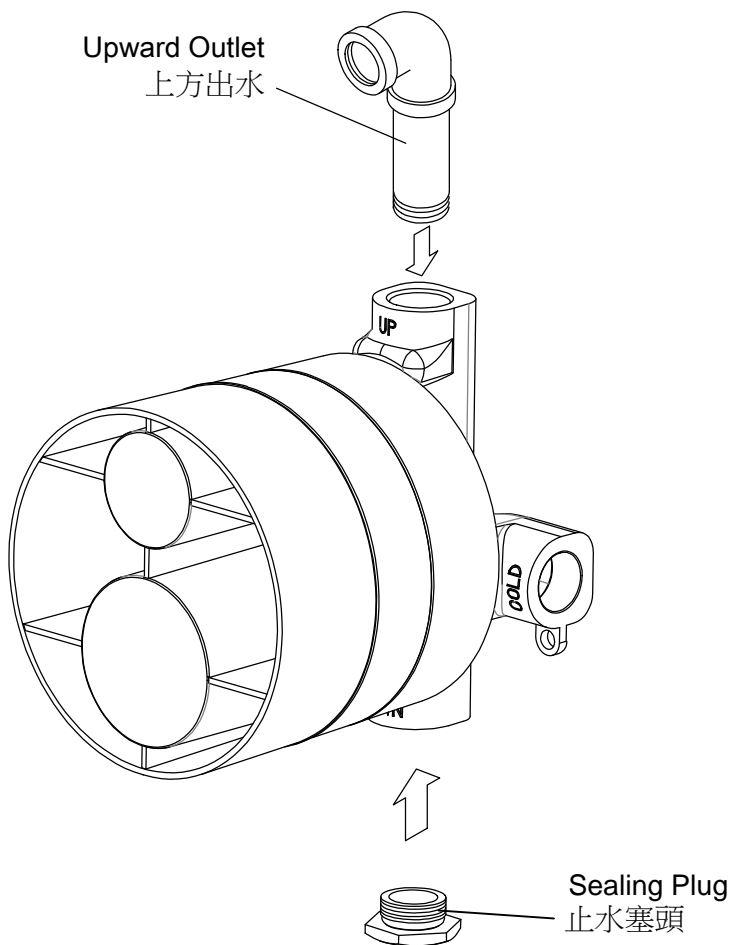
安裝牆壁內本體時需預留的牆壁厚度，牆壁內本體與最終完成牆面的距離須保持在最小2"(5cm)到最大3"(7.6cm)之間，或陶瓷中心栓與最終完成牆面保持在最小1.34"(3.4cm)到最大2.36"(6.0cm)，此為安裝必要條件。





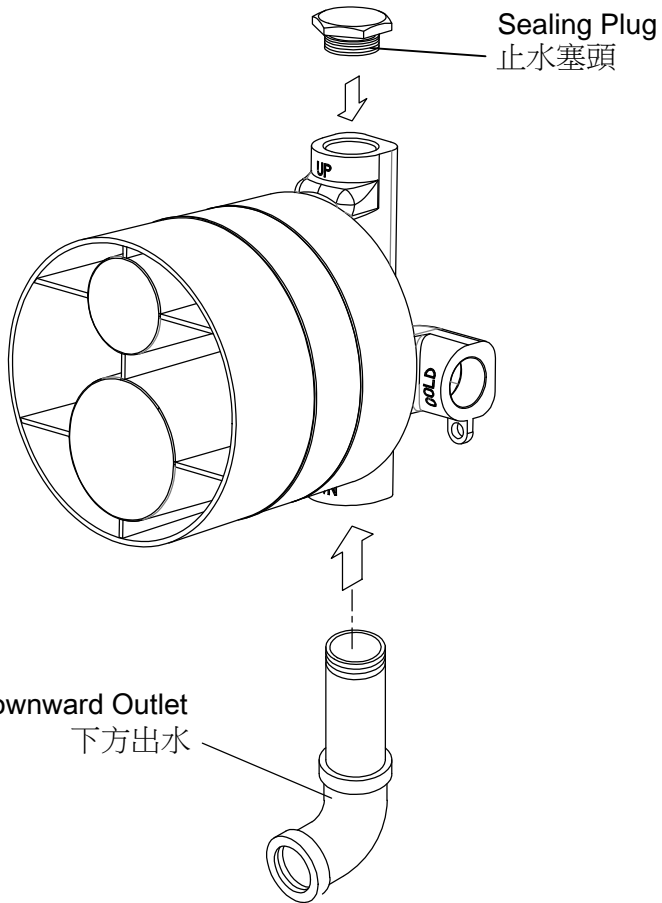
\* The Sealing Plug should be used as installing Concealed Mixer Valve (W/O Diverter Version).

安裝無切换器閥體，需選配止水塞頭做安裝使用。



\* Installing the Upward Outlet, and screw the Sealing Plug to downward outlet of valve body.

安裝上方出水閥體時，將止水塞頭鎖緊於閥體上方出水端。



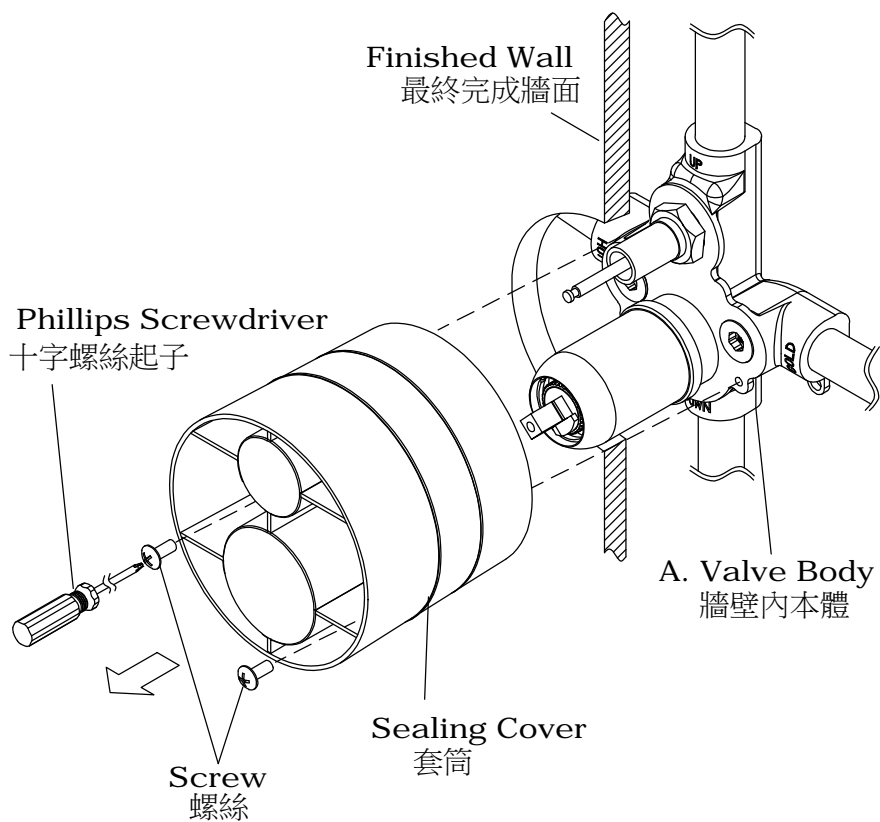
\*Installing the Downward Outlet, and screw the Sealing Plug to upward outlet of valve body.

安裝下方出水閥體時，將止水塞頭鎖緊於閥體上方出水端。

3

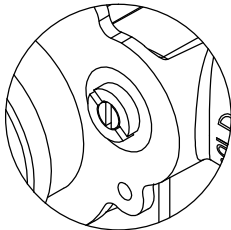
### Install Faceplate & Diverter

面板與切換器安裝



\* Disassemble the **Screws** with **Phillips Screwdriver** to remove the **Sealing Cover**.

使用十字起子取下固定螺絲\*2處，將保護蓋抽出。



W/Inlet Stop Version

附止水閥產品編號

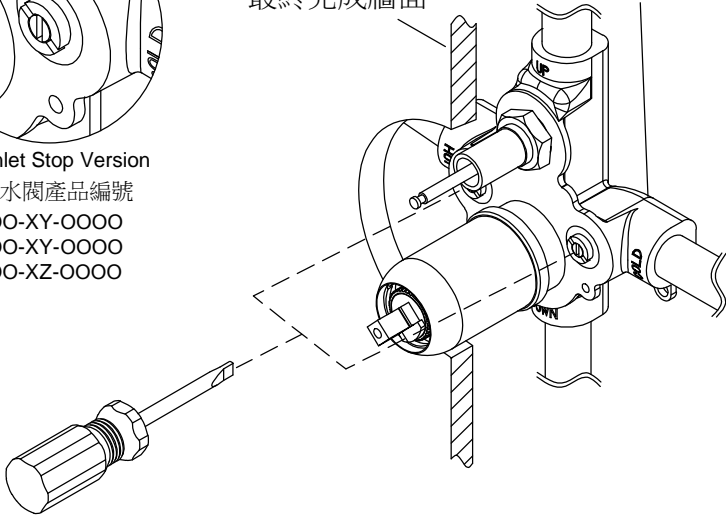
0000-XY-0000

0000-XY-0000

0000-XZ-0000

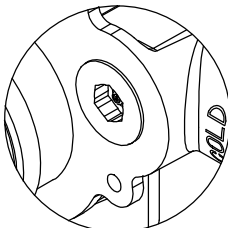
Finished Wall  
最終完成牆面

A. Valve Body  
牆壁內本體



\* Operate the Inlet Stop Valve with Slotted Screwdriver.

使用一字起子可以開關止水閥。



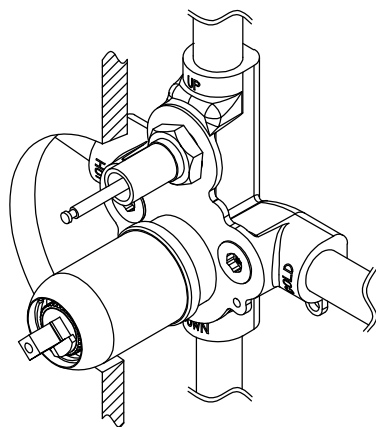
W/O Inlet Stop Version

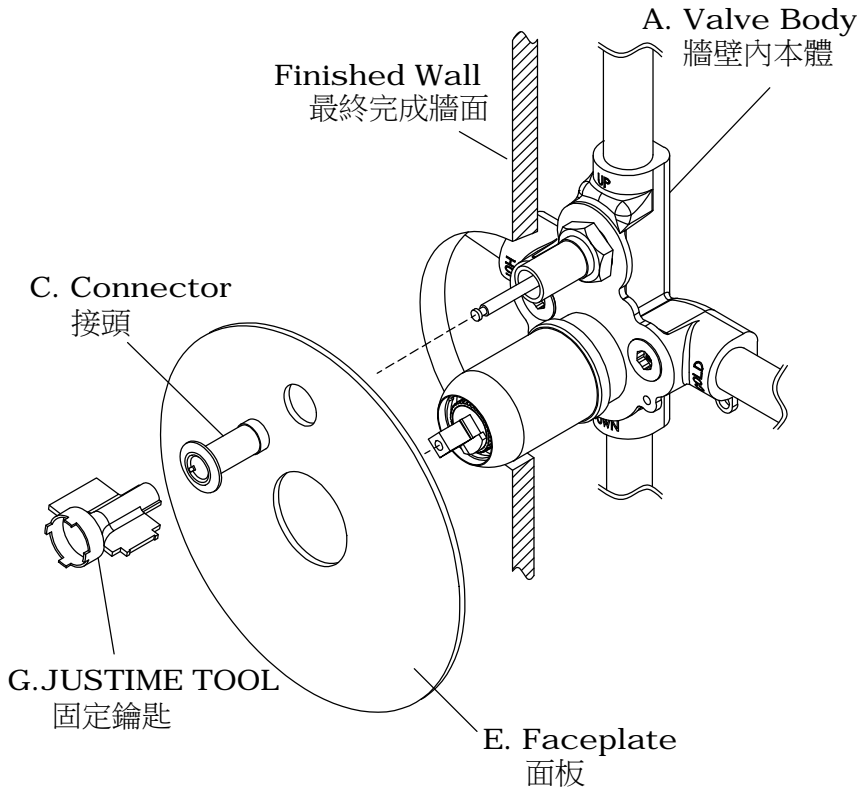
無止水閥產品編號

0000-XM-0000

0000-XW-0000

0000-XX-0000

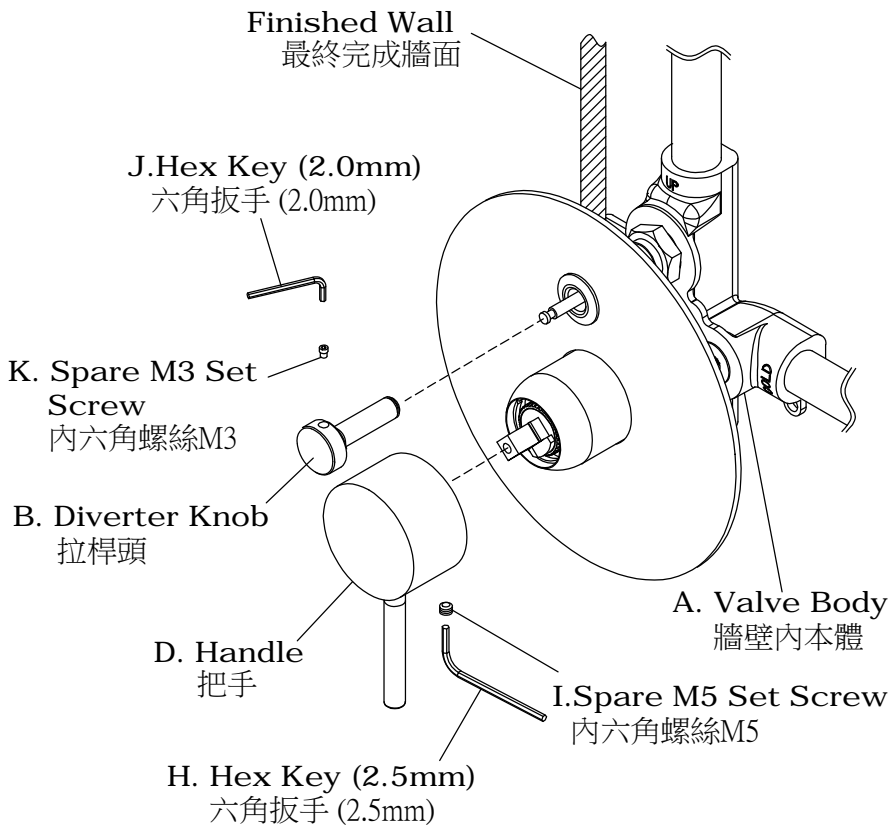




\* Install the **Faceplate** to flush with the wall, and tighten the **Connector** with **JUSTIME TOOL**.

安裝面板使其與牆壁完全貼合,使用固定鑰匙將接頭鎖入轉緊。





\*Screw the **Set Screws** of **Handle** and **Diverter Knob** to the body with **Hex Keys**

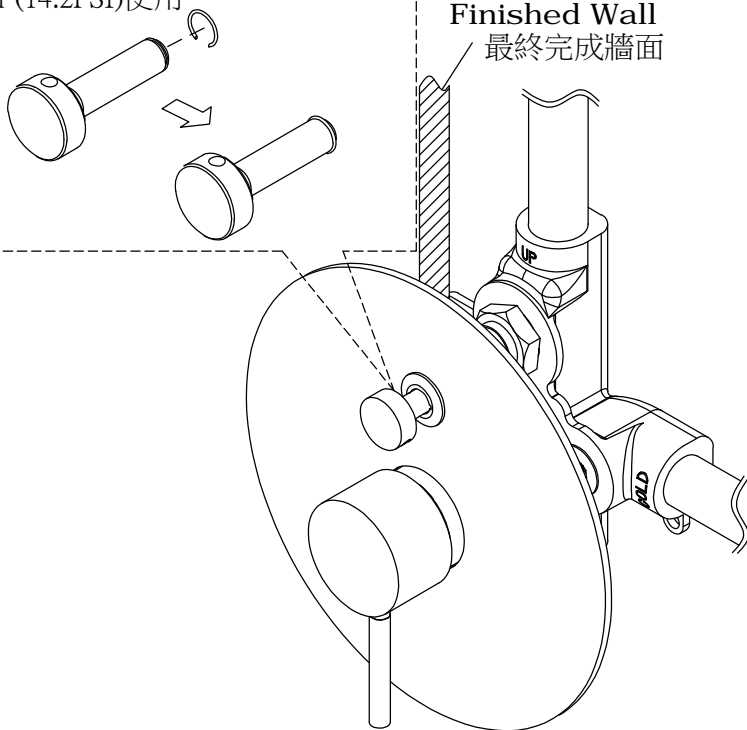
使用六角扳手將拉桿頭與把手固定於本體上。

4

**Special Case**

Using the provided C-ring  
if the water pressure is under  
 $1\text{kgf/cm}^2$  (14.2PSI)

特殊狀況&裝置  
附贈C型環水壓低於  
 $1\text{kgf/cm}^2$  (14.2PSI)使用



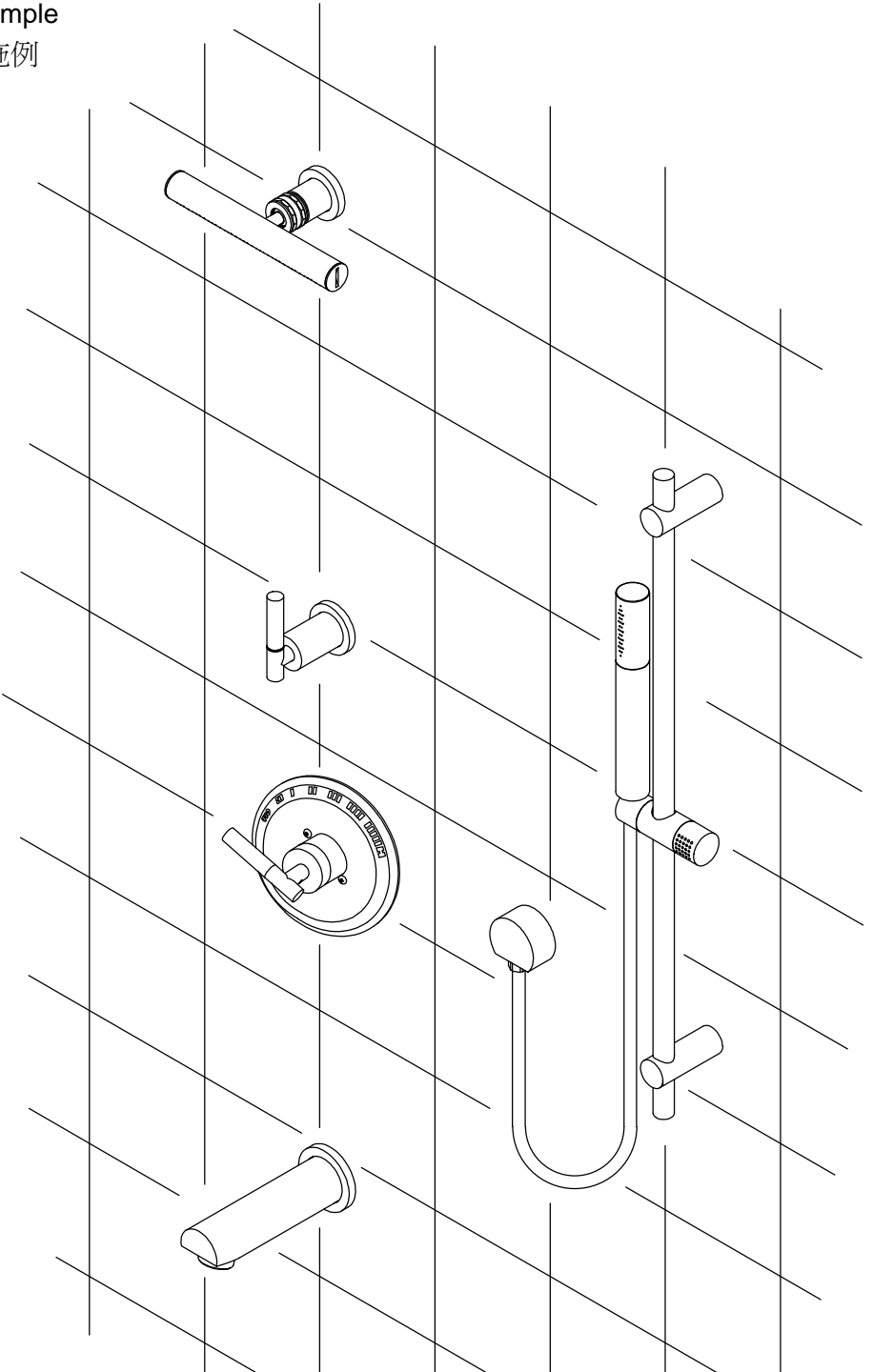
\* If the water pressure is too high, please adjust the water flow with Handle to operate the diverter.

如遇到水壓過大,請酌量調整把手出水量,以方便切換扭可正常使用。

\* If the Water Pressure is too low to operate the diverter, please use the **C-ring** provided for manual control.

如遇到水壓過低,無法達到自動切換功能時,請裝置附件C型環改為手動控制上下出水。

\* Example  
實施例



# WARRANTY

Sheng Tai Co., Ltd. offer a three-year warranty on all of the Faucets & Bathroom Accessories from date of purchasing. The warranty covers any defect in material and workmanship during normal residential use. The following conditions of defect are charged for maintaining.

- Damage caused by accident, misuse, improper care and cleaning.
- Improper using or installation.
- Defects because of the external factors, such as erodent environment (ex. Seashore or mineral spring.), animal bites or dead body remains in product etc.
- Defect because of sand or impurity stuck in faucet water way.
- Using water not adhered to the regulations of national standard.
- Deficiency caused by freeze.
- Not showing this warranty card.
- Not filling out in the blank of name of customer, date of purchase, cost of purchase, company of installation (retail store) and stamp on warranty card.
- Sheng Tai Co., Ltd. is not responsible for labor charges, installation, or other incidental or consequential costs.

勝泰衛材股份有限公司提供所有的水龍頭及浴室配件，從購買之日起三年保固。保固範圍包括在一般住宅正常使用的期間，發現產品有任何材質和加工上的瑕疵。如瑕疵有下列情形，將收取維修費用。

- 因意外事故、不當操作使用，不當的保養維護和清洗所造成的損害。
- 不當使用或安裝。
- 外在因素造成產品的瑕疵，如易造成侵蝕的環境（如濱海或溫泉地區）、動物嚙咬或屍體存在於產品內造成的損壞。
- 因砂子或雜質卡住水龍頭水路造成的損壞。
- 沒有依循國家標準的規定使用水源造成的損壞。
- 因冰凍造成的水量不足。
- 未出示此保固卡。
- 未在空白處填寫客戶名稱，購買日期，購買成本，安裝公司（零售商店），及保證卡上未蓋章。
- 勝泰衛材股份有限公司不負責工人費用，安裝，或其他附帶或間接產生的費用。

Customer	Name		Tel	
	Address			
Product	Serial No.		Name	
	Warranty	Three year from date of purchase.		
Purchase place	Store		Tel	
	Address			
Purchase Date				
Purchase Price				

**JUSTIME**

www.justime.com

**SHENG TAI BRASSWARE CO., LTD.**

No.99 Sec.3 Chang Tsao Rd. Ho Me, Chang Hua, Taiwan

508 台灣彰化縣和美鎮彰草路3段99號

TEL: +886-4-7629971~4

FAX: +886-4-7526980

E-mail: shengtai@ms10.hinet.net

Facebook: www.facebook.com/JUSTIME