

Soap Dispenser
6781-25-80CP

INTRODUCTION:

JUSTIME Ether accessories benefit users with a combination of excellent quality, precise workmanship, innovation and beautiful designs. The overall design concept is based on the idea of ether - an unlimited medium filling all space. Smooth lines and soft characteristics signify the aura of ether, which moves like an ever-present ocean current. The unique design of ETHER breaks traditional ideals and established shapes, bringing this soap dispenser to a new artistic level.

DESCRIPTION:

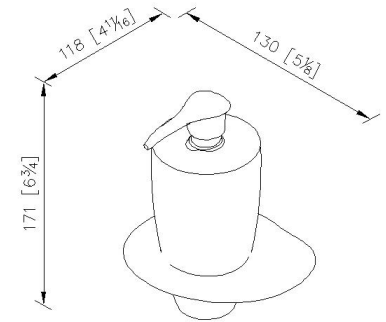
- 1.Brass of forging body meets JIS 3771 standard.
- 2.Premium metal construction for durability.
- 3.Finishes resist corrosion and tarnish.
- 4.Finish meets the standard of ASTM-SC2.
- 5.Curved shape and smooth surface help to reduce water stains.
- 6.Correctly installed product's loading is 2 kgf.
- 7.Transparent glass soap dispenser.
- 8.1.5cc for each dispense.
- 9.Capacity: 340ml.
- 10.Coordinates with other products in Ether collection.

Certification:

Fixing Kits:

- SUS 304 Stainless Steel Screws*2
- Plastic Anchors*2

AWARD:



unit: mm[inch]