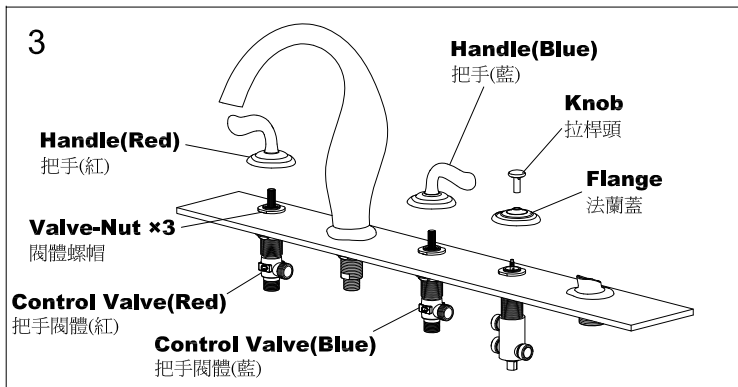
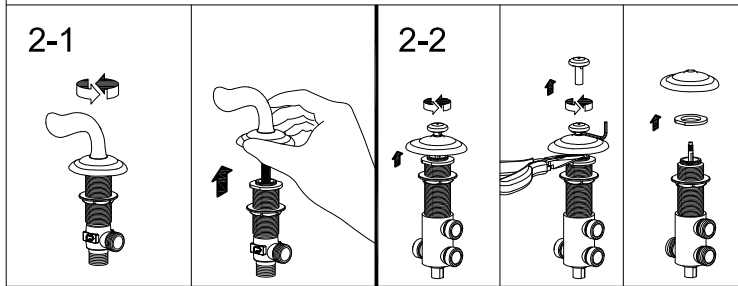
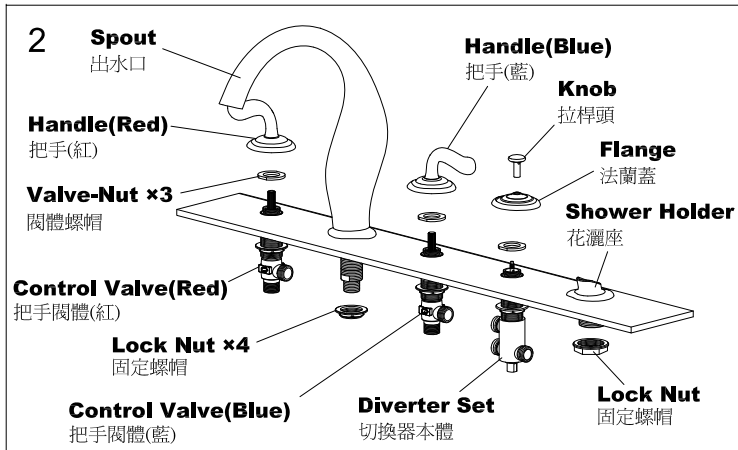
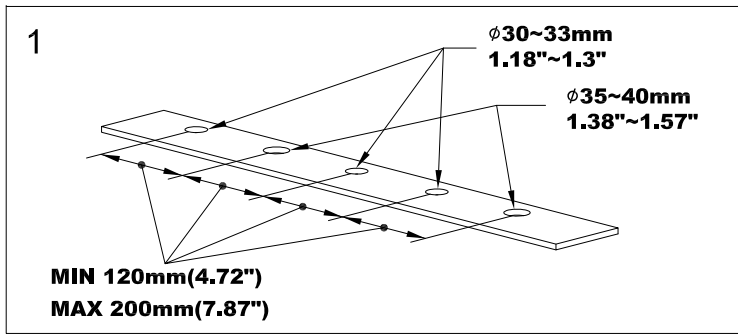


INSTALLATION INSTRUCTIONS

Two-Handle Bathtub Faucet W/Hand Shower 浴缸龍頭安裝說明

PATENT NUMBER:
專利號碼:
D137663
D137665
ZL 2010 3 0221398.4
ZL 2010 3 0221396.5



CAUTION : Risk Of Product Damage.

注意：為增加產品使用壽命，請依說明清潔供水管路。

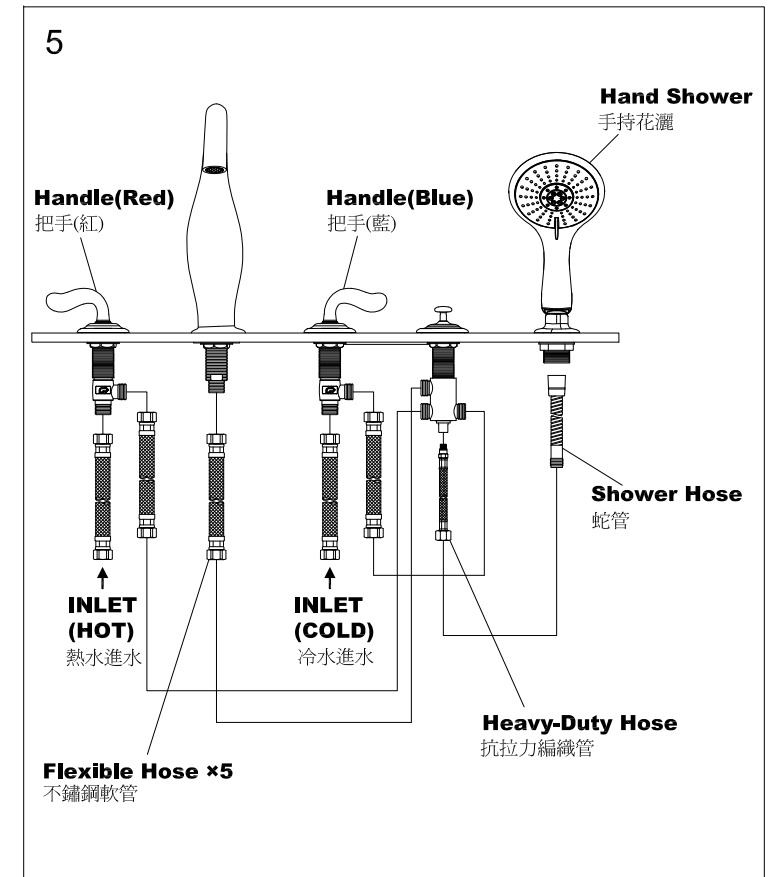
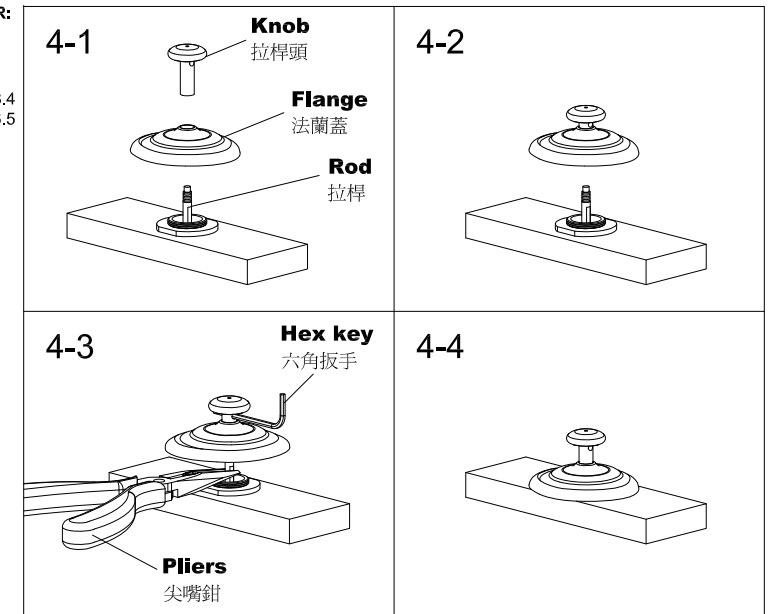
a./ Turn the angle stops (water suppliers) on and run for 1 minute before connect supply hose (flexible hose) to faucet body. or b./

安裝編織管之前，先把供水開關全開排水一分鐘。或 b./

b./ Connect and tighten the faucet and angle stops with supply hose (flexible hose) to finish installation, then remove the aerator, fully turn on the hot and cold water valves on faucet and run for 1 minute, then turn off the water and reinstall the aerator.

把龍頭、供水開關及編織管接好並鎖緊之後，把起泡器移開，把熱水及冷水全部轉開一分鐘，然後把水關掉再把起泡器裝回去。

- Drill five holes for installation as Fig.1 shown.
在適當的位置鑽5個孔，請務必依照圖示尺寸施工 (圖1)
- Install the **Spout** 安裝出水口：
 - Disassemble the **Lock Nut** from the **Spout** as Fig.2 shown.
 - Insert the external bottom thread of **Spout** through the hole of $\phi 35\sim 40\text{mm}$ (1.38"~1.57") and then tighten the **Lock Nut** as Fig.3 shown.
 - 從出水口底部拆下固定螺帽 (圖2)
 - 將出水口下端外牙放入 $\phi 35\sim 40\text{mm}$ (1.38"~1.57") 的孔中，以固定螺帽鎖緊 (圖3)
- Install **Hot & Cold Control Valves** 安裝把手組：
 - Remove the **Handles & Valve-Nuts** from the **Control Valves** before installation as Fig. 2 & 2-1 shown.
 - Insert the **Control Valves** through the holes of $\phi 30\sim \phi 33\text{mm}$ (1.18"~1.3") from underside and tighten the **Valve-Nuts**, then secure the **Control Valves** on the deck by tightening **Lock Nuts** as Fig. 3 shown.
 - Turn the **Control Valves** to shut-off position, and then align & thread two **Handles** onto the **Control Valves** as Fig. 3 shown.
 - 在安裝之前，從把手組取下把手、閥體螺帽 (圖2、圖2-1)
 - 將把手閥體從下方穿過 $\phi 30\sim \phi 33\text{mm}$ (1.18"~1.3") 的孔並鎖上閥體螺帽，然後從檯面下方鎖緊固定螺帽 (圖3)
 - 將把手閥體轉至關閉位置，對齊後將把手鎖上 (圖3)
- Install the **Diverter** 安裝切換器：
 - Loosen the **Flange** first, and then insert a pin or **Hex Key** into the side-hole of **Knob** and disassemble **Knob** with **Pliers**; disassemble the **Flange** and **Valve-Nut** for installation as Fig.2-2 shown.
 - Insert the **Diverter Set** from underside through the hole of $\phi 30\sim \phi 33\text{mm}$ (1.18"~1.3") and tighten the **Valve-Nut**; secure the Diverter on desk by tightening **Lock-Nut** as the Fig. 4-1 shown.
 - Assemble the **Knob & Flange** by opposite procedure.
 - 以逆時針方向鬆退法蘭蓋後，以插梢或六角扳手搭配尖嘴鉗取下拉桿頭，並取下法蘭蓋及閥體螺帽 (圖2-2)
 - 將切換器閥體從下方穿過 $\phi 30\sim \phi 33\text{mm}$ (1.18"~1.3") 的孔並且鎖入閥體螺帽，然後鎖緊固定螺帽 (圖4-1)
 - 以相反步驟組裝拉桿頭及法蘭蓋
- Install the **Shower Holder** 安裝花灑座：
 - Disassemble the **Lock Nut** from the **Shower Holder** as the Fig.2 shown.
 - Insert the **Shower Holder** through the hole of $\phi 35\sim 40\text{mm}$ (1.38"~1.57") and then tighten the **Lock Nut** as the Fig. 3 shown.
 - 從花灑座拆下固定螺帽 (圖2)
 - 將花灑座放入 $\phi 35\sim 40\text{mm}$ (1.38"~1.57") 的孔中，以固定螺帽鎖緊 (圖3)
- Connect the water-way of **Heavy-Duty Hose**, **Flexible Hose**, **Shower Hose** and **Hand Shower** as the Fig. 5 shown.
安裝抗拉力編織管、不鏽鋼軟管、蛇管及手持花灑 (圖5)



FIXING CONTENTS

組配件內容

