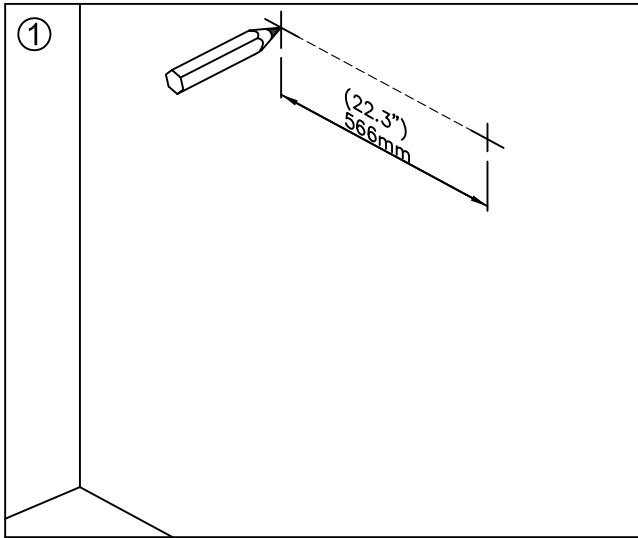
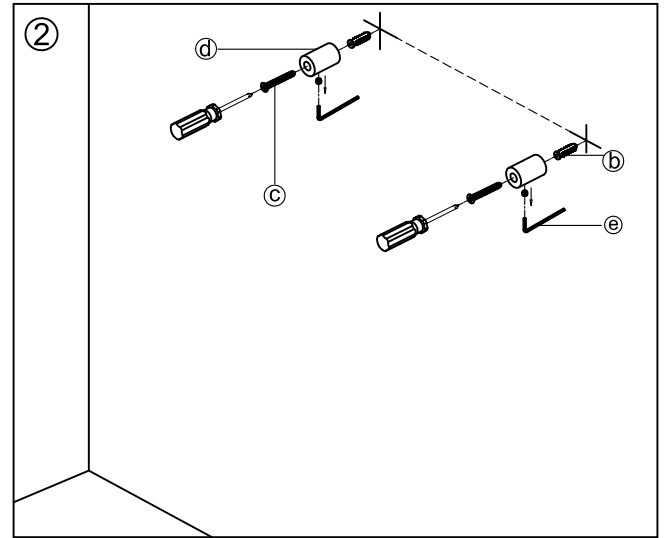


INSTALLATION GUIDE

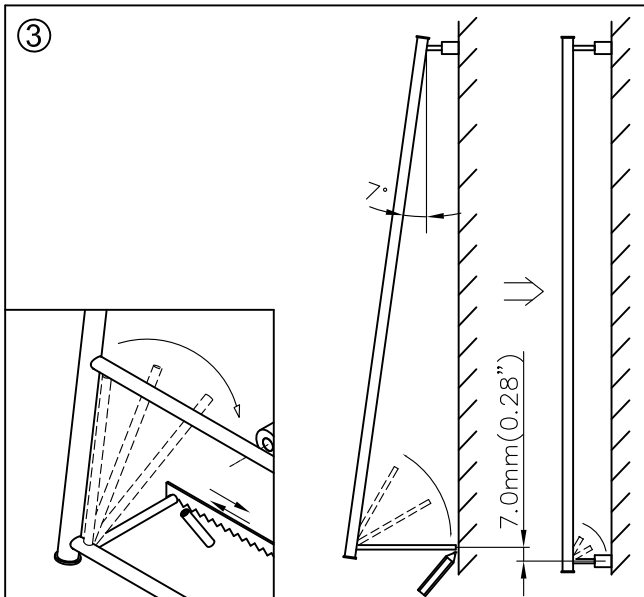
Ladder Towel Holder 多層毛巾架安裝說明



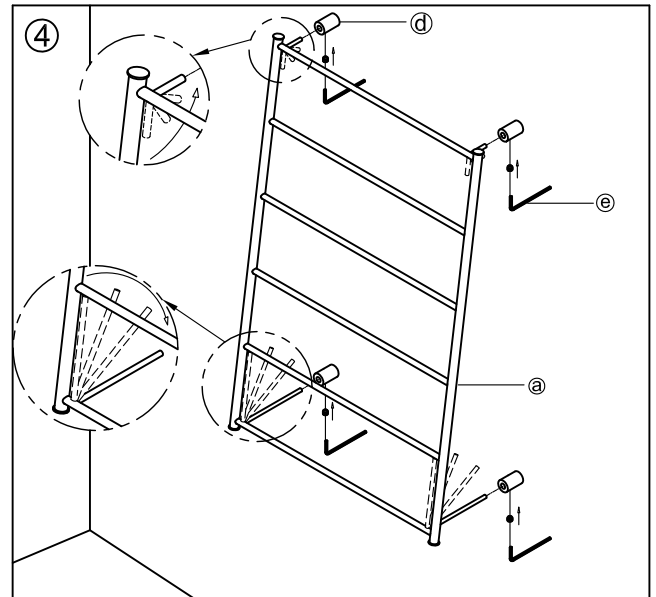
Mark 2 drill hole locations with a pencil on appropriate height position as shown in figure #1.
如圖1所示,在適當的高度用鉛筆在兩個鑽孔的位置作記號。



Loosen the **Set Screw** with **Hex-Key** then Drill fixing holes and installs 2 **Brackets** in positions.
先用六角板手將埋頭螺絲鬆掉然後鑽好安裝的孔並且裝入塑膠套筒再用不銹鋼木螺絲將兩個支架固定住。



Twist two short pillars and insert into **Brackets** first. You can cut the long pillars shorter as you want with a saw, if necessary. Then twist the pillars square to the wall and mark 2 drill hole locations with a pencil as shown in figure #3, then repeat figure #2 process for installation.
先將兩支短的柱子轉出來裝入支架,如有需要時您可以依自己所需用鋸子將長的柱子鋸短,然後將柱子轉成與牆面垂直並用鉛筆在兩個鑽孔的位置作記號如圖3所示,然後重複圖示2步驟將下方的支架固定。



Insert all the pillars into **Brackets** and tighten all set screws with **Hex-Key**.
將所有柱子裝入支架中並且用六角板手鎖緊所有的埋頭螺絲。

FIXING CONTENTS

組配件內容

