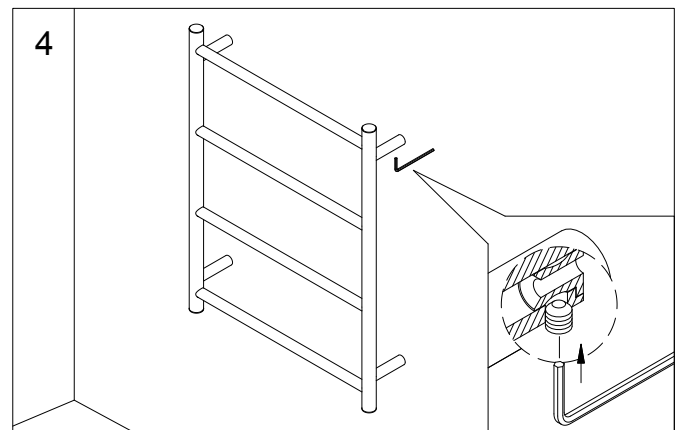
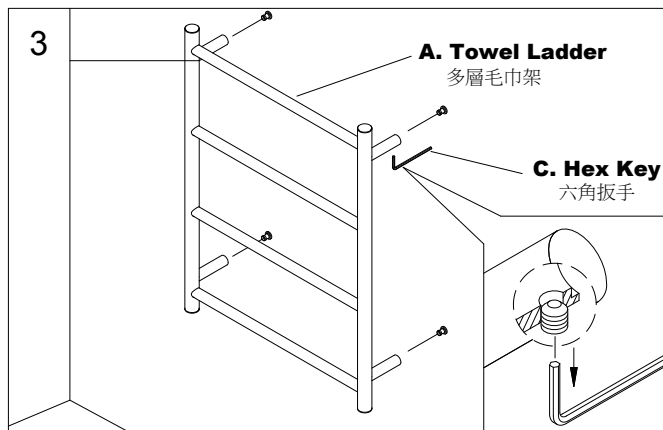
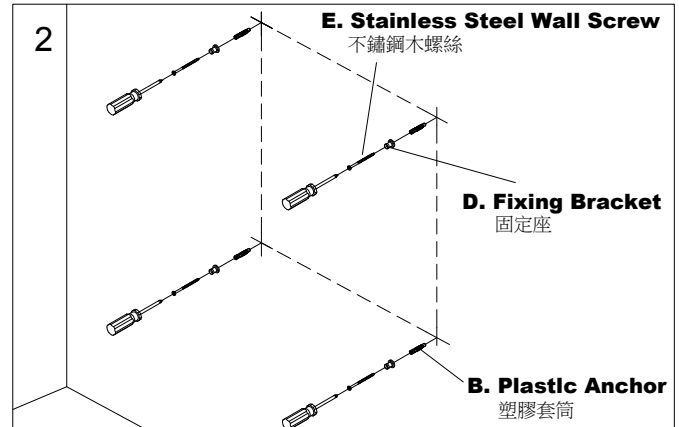
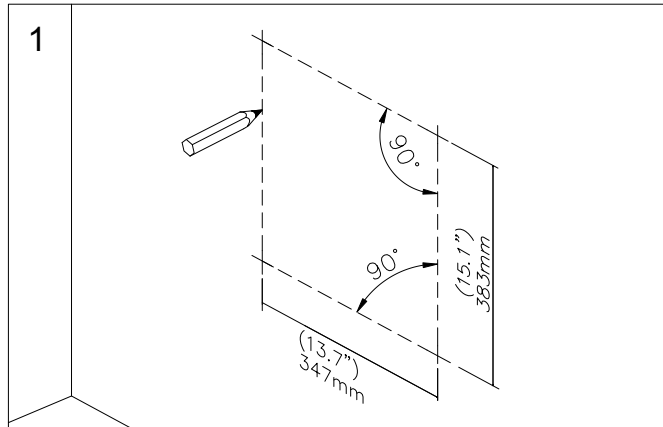


INSTALLATION INSTRUCTIONS

Towel Ladder

多層毛巾架安裝說明



1. Mark 4 drilling locations with a pencil at appropriate height as Fig.1 shown.
如圖1所示，在適當的高度用鉛筆在四個鑽孔的位置劃記，如 Fig.1 所示。
2. Using a 6mm drill-bit, drill the holes in marked positions to a depth of 4cm. Insert the **Plastic Anchors** into the holes, and then fix the **Fixing Brackets** with **Stainless Steel Wall Screws** as Fig. 2 Shown.
當安裝在水泥牆時，使用6mm鑽頭，鑽孔深度4公分，填入塑膠塞，並使之齊平於牆面後，用不鏽鋼木螺絲將四個固定座鎖緊於牆上，如 Fig.2 所示。
3. Loosen **Set Screws** with **Hex Key**, and then fix **Towel Ladder** on **Fixing Brackets** as Fig.3 shown.
先用隨附六角扳手將止付螺絲鬆掉，然後將多層毛巾架的4個支架套入4個固定座，如 Fig.3 所示。
4. Tighten all **Set Screws** with **Hex Key** securely as Fig.4 shown.
用六角扳手將所有止付螺絲鎖緊，如 Fig.4 所示。

FIXING CONTENTS

組配件內容

