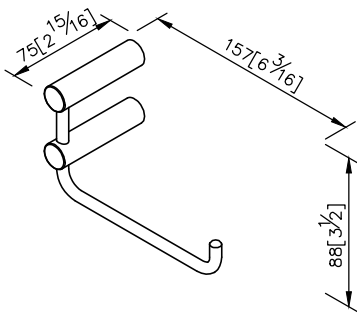


Toilet Tissue Holder
6807-42-80CP



- 1.Brass of sand-casting body meets JIS 3604 standard.
- 2.Premium metal construction for durability.
- 3.Justime finishes resist corrosion and tarnish.
- 4.Finish meets the standard of ASTM-SC2.
- 5.Correctly installed product's loading is 5 kgf.
- 6.Coordinates with other products in Still One Collection.
- 7.Spare tissue holder is suitable at public space. It can create the convenient to user and keep the environment neat.

unit: mm[inch]

