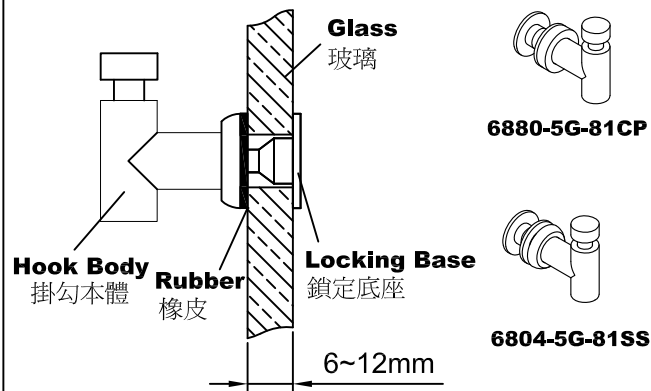


# INSTALLATION INSTRUCTIONS

## 玻璃掛勾安裝說明

1. Available thickness of glass is 6~12mm; dimension of hole on glass is 14mm.  
使用玻璃厚度6~12mm，鑽孔尺寸 $\phi$ 14mm.
2. Insert the **Hook Body** through the glass with **Rubber**, and then fix and tighten the other side of **Hook Body** (for Double Hook) or the **Locking Base** (for Single Hook).  
將掛勾本體套入橡皮墊先支撐在玻璃一邊，再將另一邊的掛勾本體套入橡皮墊(雙邊)或鎖定底座(單邊)鎖入。
3. Please note if the Hook is vertical after installation.  
安裝後須注意掛勾的垂度度。

### Through-Glass Single Robe Hook



### Through-Glass Double Robe Hook

