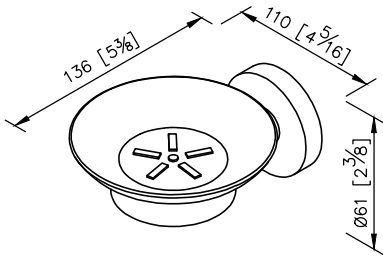
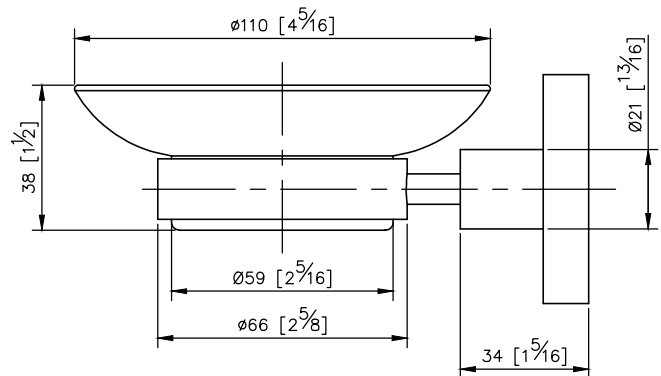
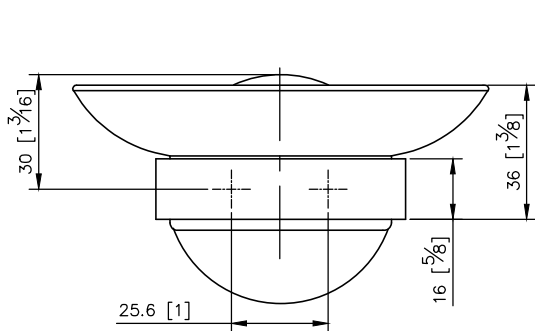
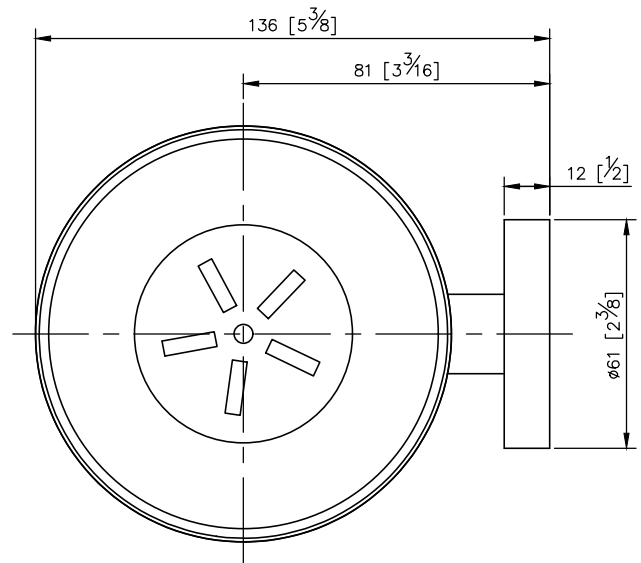


Soap Dish
6810-20-80CP



- 1.Brass of forging body meets JIS 3771 standard
- 2.Premium metal construction for durability
- 3.Justime finishes resist corrosion and tarnish
- 4.Finish meets the standard of ASTM-SC2.
- 5.The simply design concept could be collocated with diverse space
- 6.Correctly installed product's loading is 2 kg f
- 7.Frosted glass soap dish.
- 8.Coordinates with other products in 6810 collection

unit: mm[inch]



Mounting Template Specification

