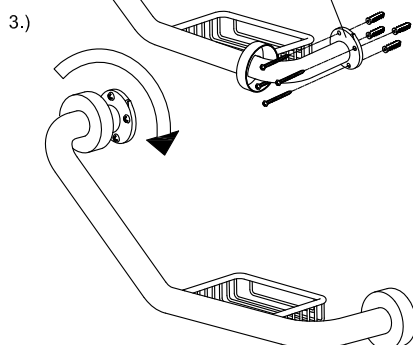
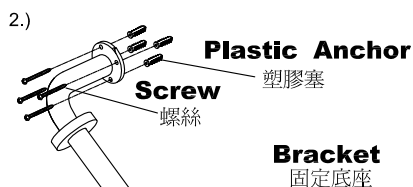
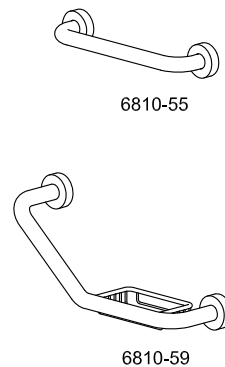
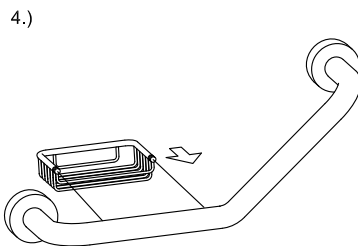
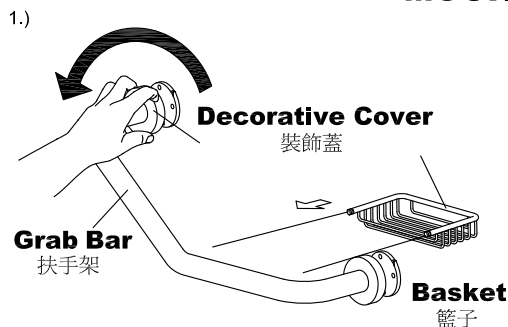


MOUNTING INSTRUCTIONS

安裝說明

SERIES:

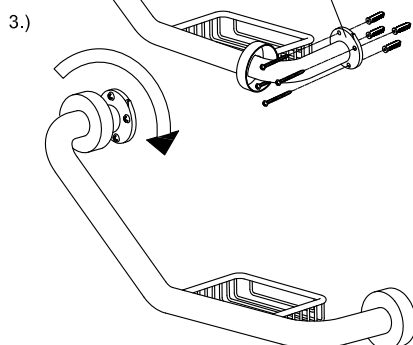
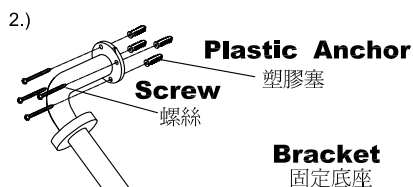
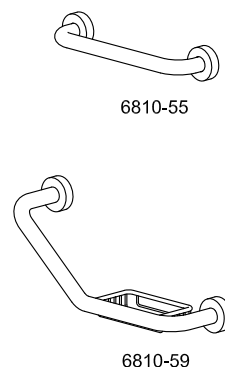
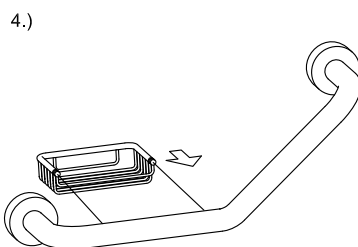
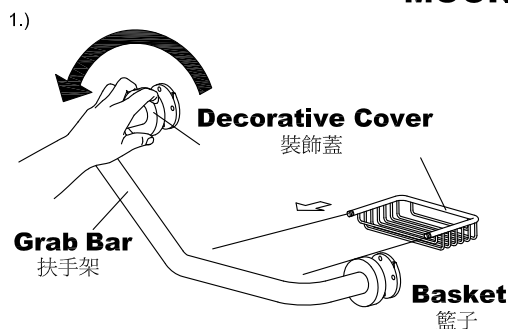


- 1.) Disassemble the **Decorative Cover** for installation, install the **Basket** (option) as fig# ① shown.
將扶手架本體與裝飾蓋分離，裝上籃子(選擇性)如圖示①。
- 2.) Located the **Grab Bar** on proper position, use **Bracket** as template to locate appropriate drilling centers with pencil as fig# ② shown.
將扶手架置放在牆上預定位置，並畫上鑽孔的記號，如圖示②。
- 3.) Use 6mm drilling bit to drill holes in your marked locations, when mounting on drywall, insert **Plastic Anchors**, attach **Bracket** to wall with **Wall Screws**, Locate the **Decorative Cover** onto the **Bracket** as fig# ③ shown.
當安裝在水泥牆，使用1/4英寸鑽頭，鑽孔深度4公分，嵌入塑膠塞並使之齊平於牆面，將固定底座以螺絲鎖在牆面上，把裝飾蓋套上固定底座，完成安裝程序，如圖示③。
- 4.) The **Basket** can be installed on either left or right side as fig# ④ shown .
籃子可供選擇安裝於左方或右方，如圖示④。

MOUNTING INSTRUCTIONS

安裝說明

SERIES:



- 1.) Disassemble the **Decorative Cover** for installation, install the **Basket** (option) as fig# ① shown.
將扶手架本體與裝飾蓋分離，裝上籃子(選擇性)如圖示①。
- 2.) Located the **Grab Bar** on proper position, use **Bracket** as template to locate appropriate drilling centers with pencil as fig# ② shown.
將扶手架置放在牆上預定位置，並畫上鑽孔的記號，如圖示②。
- 3.) Use 6mm drilling bit to drill holes in your marked locations, when mounting on drywall, insert **Plastic Anchors**, attach **Bracket** to wall with **Wall Screws**, Locate the **Decorative Cover** onto the **Bracket** as fig# ③ shown.
當安裝在水泥牆，使用1/4英寸鑽頭，鑽孔深度4公分，嵌入塑膠塞並使之齊平於牆面，將固定底座以螺絲鎖在牆面上，把裝飾蓋套上固定底座，完成安裝程序，如圖示③。
- 4.) The **Basket** can be installed on either left or right side as fig# ④ shown .
籃子可供選擇安裝於左方或右方，如圖示④。