

Towel Bar
6857-10-80CP

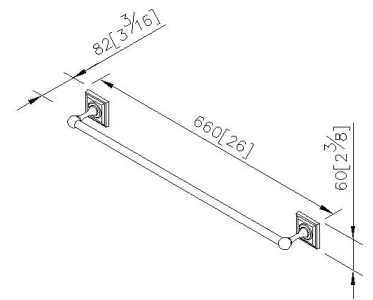
INTRODUCTION:

The main base had been designed with the gradient square and circle line to shows the harmony between two different types, and also bring the visual impact.



DESCRIPTION:

- 1.Brass of forging body meets JIS 3771 standard.
- 2.Premium metal construction for durability.
- 3.Justime finishes resist corrosion and tarnish.
- 4.Finish meets the standard of ASTM-SC2.
- 5.The simply design concept could be collocated with diverse space.
- 6.Correctly installed product's loading is 4 kgf.
- 7.The size of towel bar: 600mm.
- 8.Coordinates with other products in 6857 collection.



unit: mm[inch]

Certificaion:

Fixing Kits:

- 1.SUS 304 Stainless Steel Screws*4
- Plastic Anchors*4
- Material of Wall Mount Bracket: Steel with zinc plating*2

AWARD: