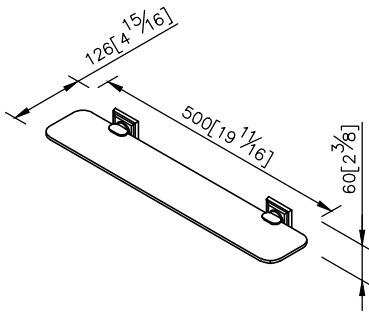


## Shelf 6857-70-80CP



- 1.Brass of forging body meets JIS 3771 standard.
- 2.Premium metal construction for durability.
- 3.Justime finishes resist corrosion and tarnish.
- 4.Finish meets the standard of ASTM-SC2.
- 5.Correctly installed product's loading is 5 kgf.
- 6.Transparent Tempered glass(500\*110\*6mm).
- 7.Coordinates with other products in 6857 collection.

unit: mm[inch]

