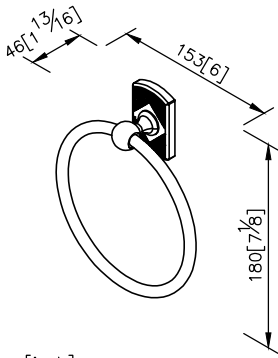
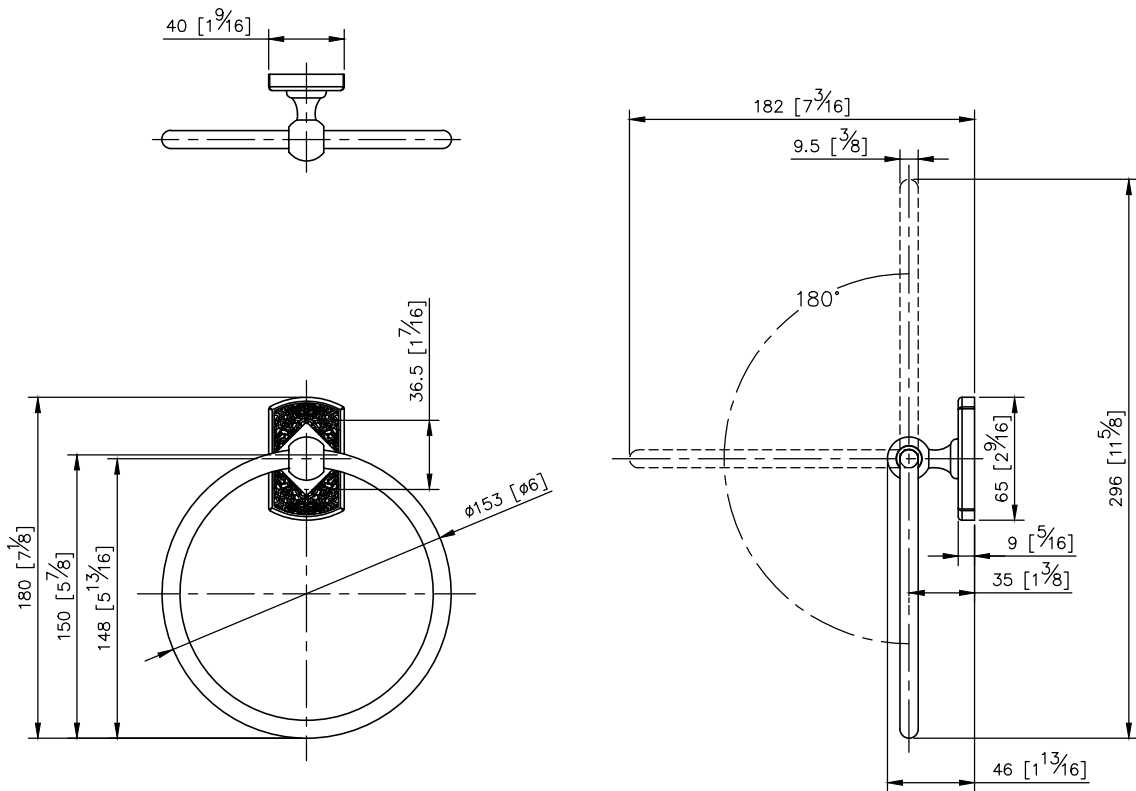


Towel Ring
6863-60-80SV

1. Brass of forging body meets JIS 3771 standard.
2. Premium metal construction for durability.
3. Justime finishes resist corrosion and tarnish.
4. Finish meets the standard of ASTM-SC2.
5. Correctly installed product's loading is 4 kgf.
6. Coordinates with other products in 6863 collection.



unit: mm[inch]



Mounting Template Specification

