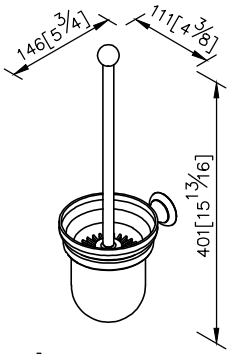
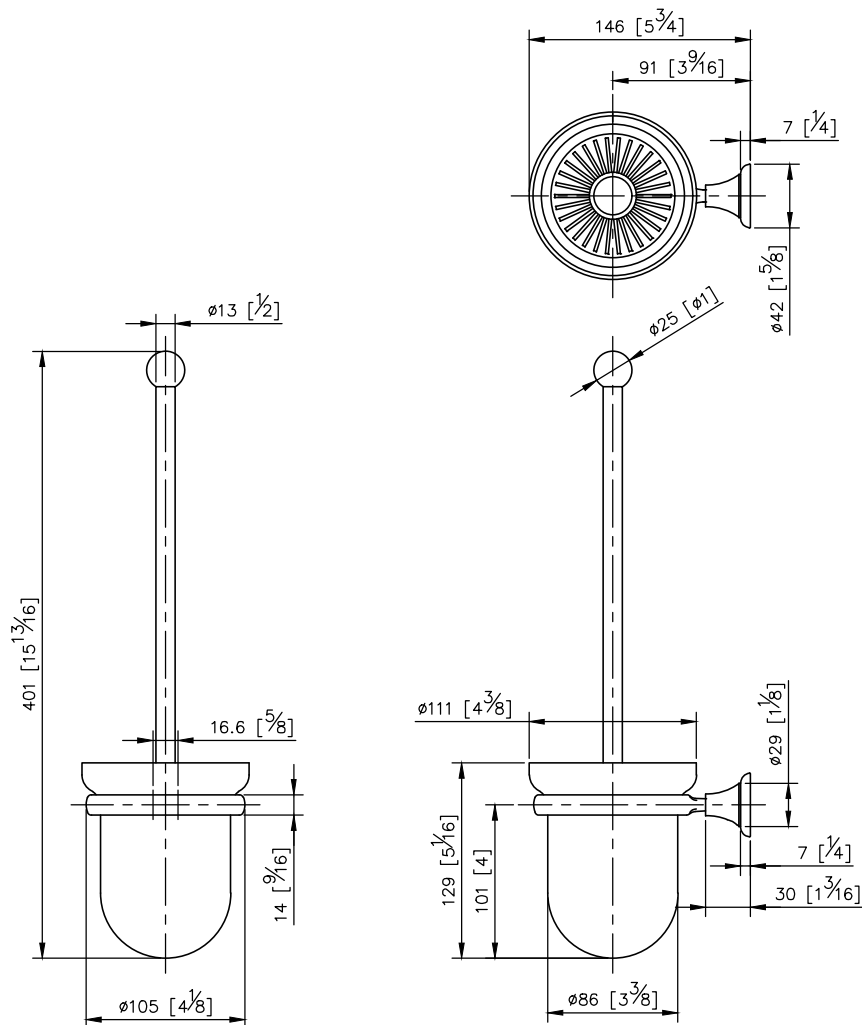


Toilet Brush Holder 6867-80-80CP

- 1.Brass of forging body meets JIS 3771 standard.
- 2.Premium metal construction for durability.
- 3.Justime finishes resist corrosion and tarnish.
- 4.Finish meets the standard of ASTM-SC2.
- 5.Correctly installed product's loading is 2 kgf.
- 6.Frosted glass brush holder.
- 7.Coordinates with other products in 6867 collection.



unit: mm[inch]



Mounting Template Specification

