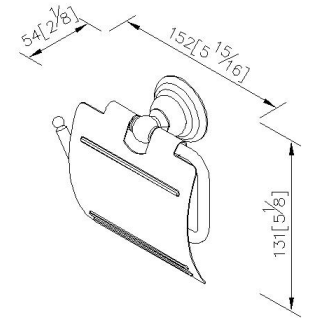


**Toilet Tissue Holder W/Lid**  
**6873-41-80CP****INTRODUCTION:**

Metal holder with smooth line is appropriate for bathroom interior design, displaying the fashion style. It is convenient to change toilet roll with the rotatable one-armed tissue holder, which can also prevent the roll from falling.

**DESCRIPTION:**

- 1.Brass of forging mounting base meets JIS 3771 standard.
- 2.Brass of tissue holder ring meets JIS 3604 standard.
- 3.Top lid material with stainless steel SUS #304.
- 4.Brass with chrome plated finish meets the standard of ASTM-SC2.
- 5.Vertical force could support a static load of 5 Kgf.
- 6.The cone plinth of the bathroom accessories could increase the elegance for the space.
- 7.Coordinates with other products in 6873 collection.



unit:mm[inch]

**Certification:****Fixing Kits:**

- SUS 304 Stainless Steel Screws\*2
- Plastic Anchors\*2
- Material of Wall Mount Bracket: Steel with zinc plating\*1

**AWARD:**