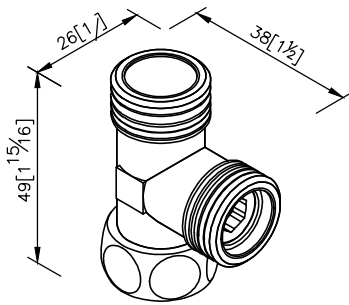


Swivel Tee W/Flow Control Valve
6874-YZ-80CR



1. Brass with chrome-plated finish meets the standard of ASTM-SC2.
2. Brass material meets JIS 3604 Standard.
3. Thread: (M)1/2G*(M)1/2G.
4. With flow control valve.

unit: mm[inch]

