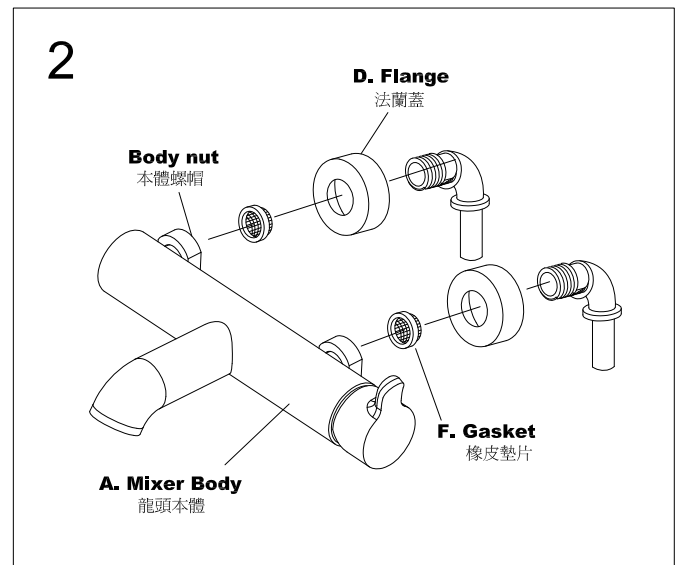
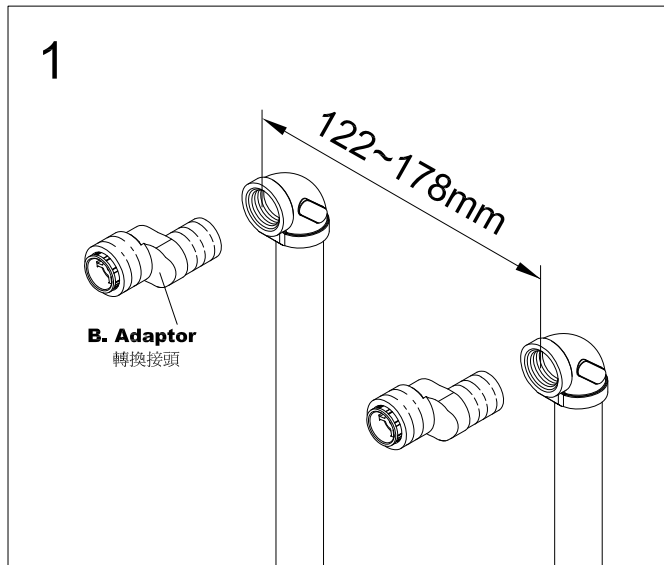


INSTALLATION INSTRUCTIONS

BATH MIXER

浴缸龍頭安裝說明



CAUTION : Risk Of Product Damage.

注意：為增加產品使用壽命，請依說明清潔供水管路。

When finished installation, turn the valve on and run for 1 minute before using.

完成安裝後，需在使用前先把供水開關全開排水持續一分鐘。

1. The available distance between two centers of wall water outlets can be 122~178mm. Apply pipe compound or thread sealant tape to the threads of 1/2" ends of **Adaptors**, and screw them into water outlets on wall as Fig.1 shown.
凡牆壁上冷熱出水孔中心距離在122~178mm者，皆可適合安裝本產品。將轉換接頭1/2"牙塗上管牙膠或包覆止洩帶，再鎖入牆壁出水口。(圖1)
2. Cover **Flanges** onto both 3/4" ends of **Adaptors**, then insert **Gaskets** into each body-nut and screw the body-nuts onto 3/4" ends of **Adaptors** tightly as Fig.2 shown.
將兩個法蘭蓋各別裝上轉換接頭的3/4"端，然後將墊片各別裝入本體螺帽，並且將本體螺帽與轉換接頭3/4"端鎖緊固定。(圖.2)

FIXING CONTENTS

組配件內容

