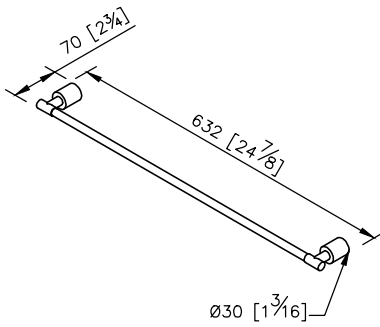


Towel Bar
6880-10-80CP



- 1.Brass of forging mounting base and brackets meet JIS 3771 standard.
- 2.Brass cylinders meet JIS 3604 standard.
- 3.Stainless steel towel bar meets SUS 304 standard.
- 4.Justime finishes resist corrosion and tarnish.
- 5.Chrome plated finish meets the standard of ASTM-SC2.
- 6.Vertical force could support a static load of 4 Kgf.
- 7.Coordinates with other products in 6880 collection.

unit: mm[inch]

