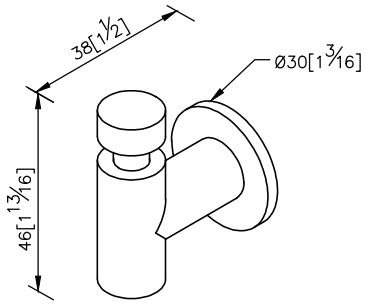
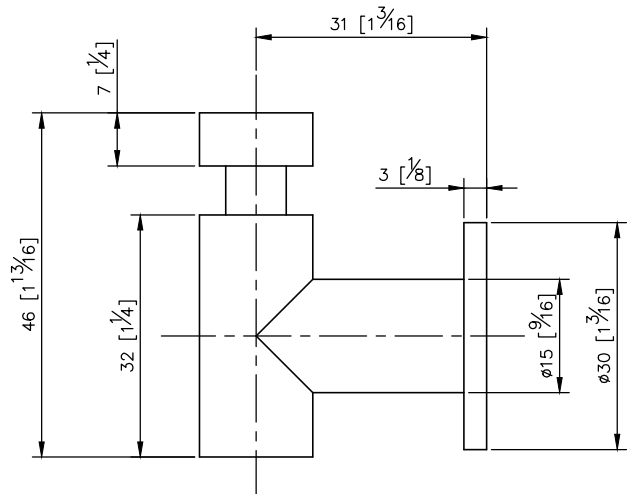
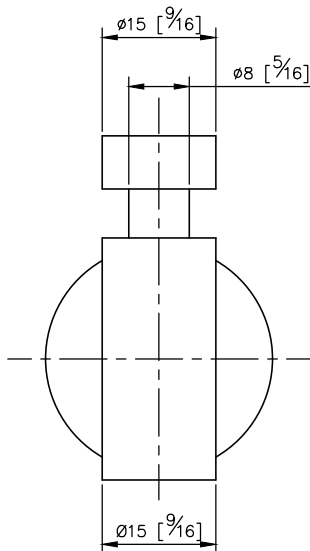
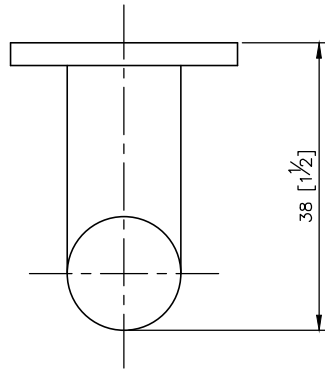


Robe Hook
6880-50-80CP



1. Brass hook meets JIS 3604 standard.
2. Brass forging bracket meets JIS 3771 standard.
3. Premium metal construction for durability.
4. Justime finishes resist corrosion and tarnish.
5. Chrome plated finish meets the standard of ASTM-SC2.
6. Vertical force could support a static load of 5 Kgf.
7. Coordinates with other products in 6880 collection.

unit: mm[inch]



Mounting Template Specification

