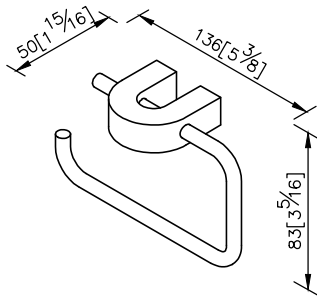
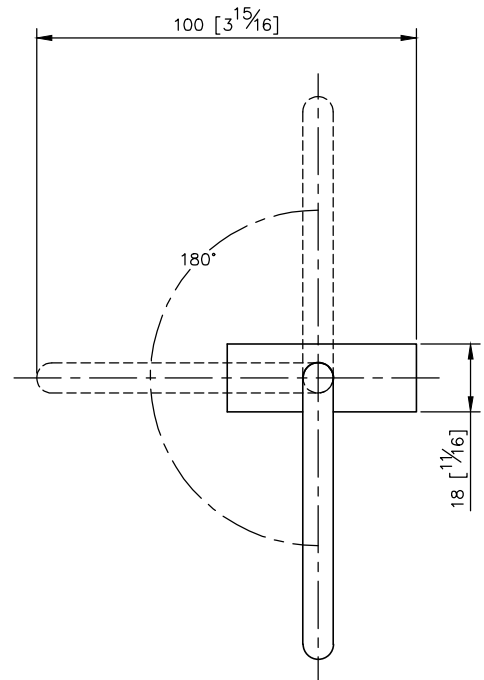
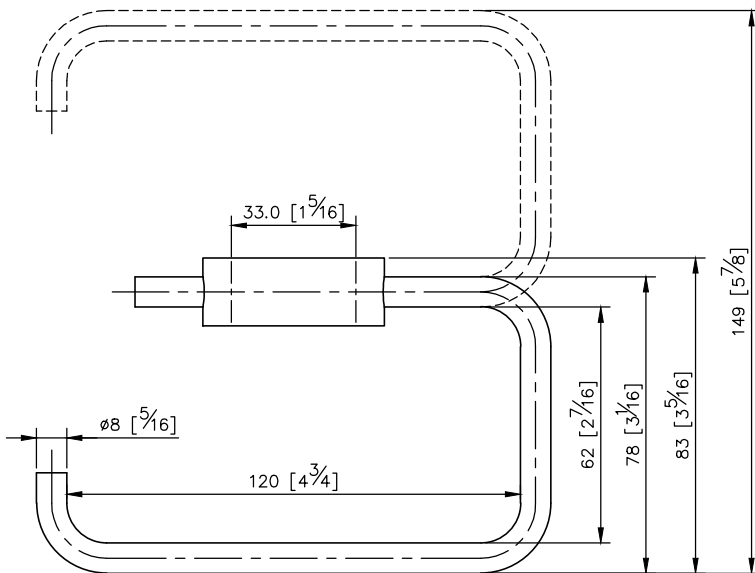
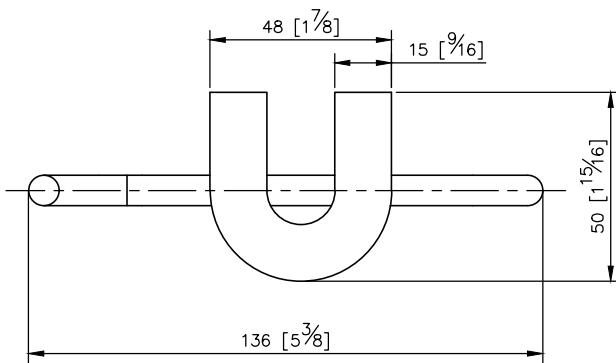


Toilet Tissue Holder
6881-40-80CP



- 1.Brass mounting base and supporting ring meet JIS 3604 standard.
- 2.Justime finishes resist corrosion and tarnish.
- 3.Chrome plated finish meets the standard of ASTM-SC2.
- 4.Vertical force could support a static load of 5 Kgf.
- 5.The U-shaped pedestal of the bathroom accessories could increase the elegance for the environment.
- 6.Coordinates with other products in 6881 collection.

unit: mm[inch]



Mounting Template Specification

