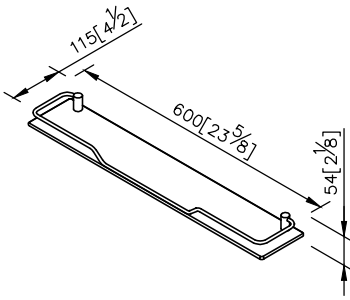


Shelf With Rail

6881-71-80CP



1. Brass mounting base meets JIS 3604 standard.
2. Premium metal construction for durability.
3. Justime finishes resist corrosion and tarnish.
4. Chrome plated finish meets the standard of ASTM-SC2.
5. Vertical force could support a static load of 5 Kgf.
6. Frosted tempered glass shelf 600*110*6mm.
7. With protective rail.
8. Coordinates with other products in 6881 collection.

unit: mm[inch]

