

Double Towel Bar 6892-14-80CP

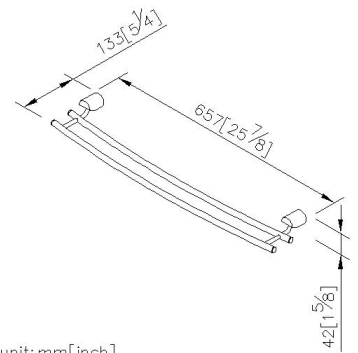
INTRODUCTION:

The main base has been designed with geometrical shape and curved rods, which brings the warm and comfortable atmosphere for bathroom.



DESCRIPTION:

- 1.Brass forging mounting base meets JIS 3771 standard.
- 2.Brass body meets JIS 3604 standard.
- 3.Brass towel bar meets JIS C2700 standard.
- 4.Chrome plated finish meets the standard of ASTM-SC2.
- 5.Vertical force could support a static load of 4 Kgf.
- 6.The length of towel bar: 657mm.
- 7.Double towel bars provides more convenience.
- 8.Coordinates with other products in 6892 collection.



Certification:

Fixing Kits:

- 1.SUS 304 Stainless Steel Screws *4
- Hex Key 1/8" *1
- Plastic Anchors *4

AWARD: