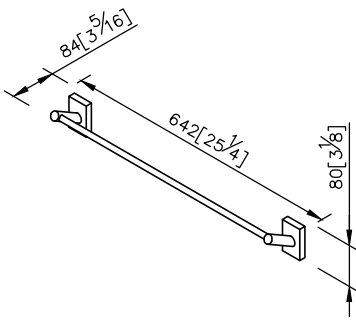


Towel Bar
6893-10-80SS

1. Brass forging faceplate meets JIS 3771 standard.
2. Brass bracket meets JIS 3604 standard.
3. Towel bar meets SUS 304 standard.
4. Towel bar is with brushed finish, which is easy to maintain with a scouring pad.
5. Vertical force could support a static load of 4 Kgf.
6. Coordinates with other products in 6893 collection.



unit: mm[inch]

