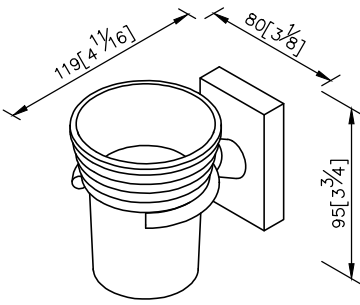


Tumbler Holder
6893-30-80SS



1. Brass forging faceplate meets JIS 3771 standard.
2. Brass bracket material meets JIS 3604 standard.
3. Tumbler holder stainless steel ring meets SUS 304 standard.
4. Tumbler holder ring is with brushed finish, which is easy to maintain with a scouring pad.
5. Frosted glass tumbler increases visual softness.
6. Vertical force could support a static load of 2 Kgf.
7. Capacity of the tumbler is 160ml.
8. Coordinates with other products in 6893 collection.

unit: mm[inch]

