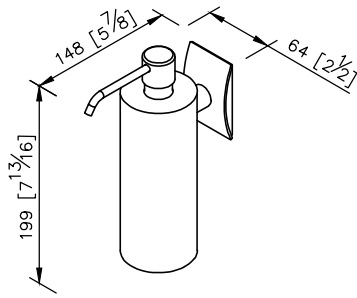
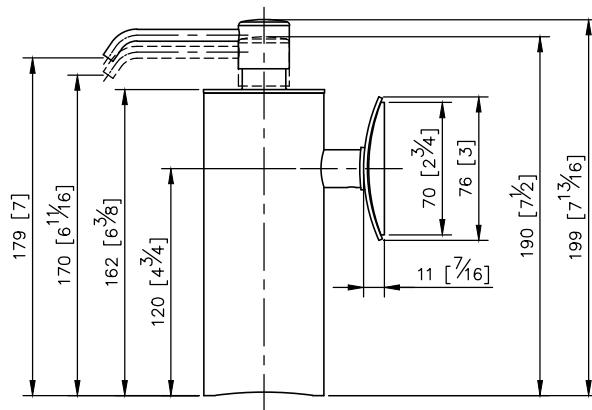
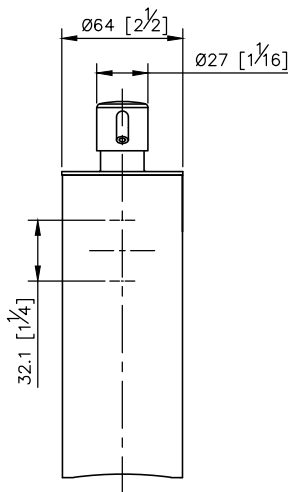
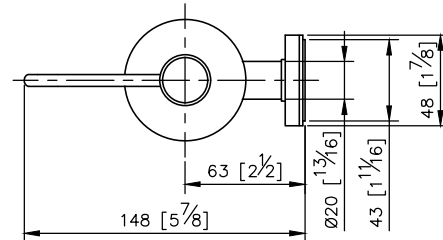


Soap Dispenser
6899-28-80S1



1. Stainless steel soap dispenser
2. Plastic bottle capacity: 360ml
3. Material of holder and faceplate: Stainless Steel meets SUS 304 standard
4. Premium metal construction for durability
5. Justime finishes resist corrosion and tarnish
6. Finish meets the standard of ASTM-SC2
7. Coordinates with other products in 6899 collection

unit: mm[inch]



Mounting Template Specification

