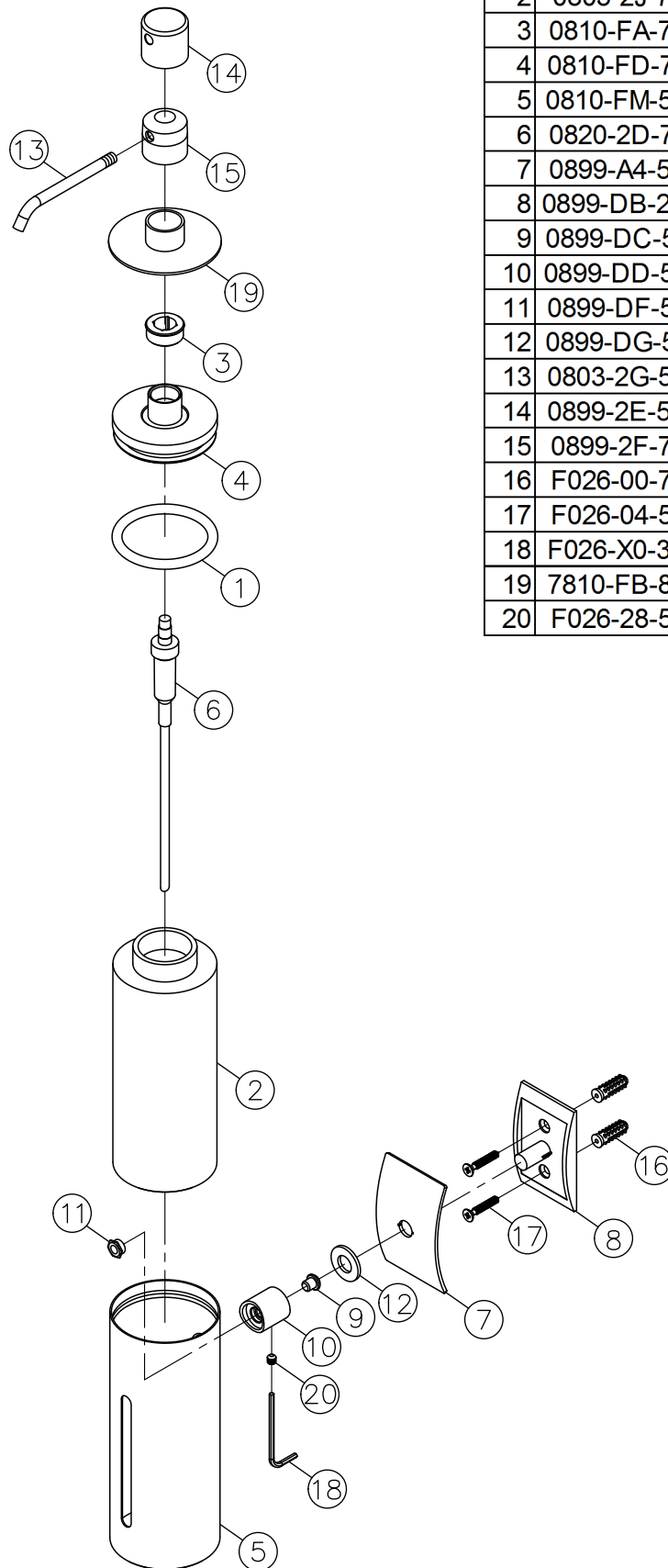


Soap Dispenser W/Front Window Slot 6899-29-80S1



| NO | Part NO. | Part Name | QTY |
|----|--------------|-----------------|-----|
| 1 | 0502-C2-5100 | O-ring | 1 |
| 2 | 0803-2J-7500 | Bottle | 1 |
| 3 | 0810-FA-7500 | Adaptor | 1 |
| 4 | 0810-FD-7500 | Fixing Adaptor | 1 |
| 5 | 0810-FM-54S1 | Outer Lining | 1 |
| 6 | 0820-2D-7900 | Soap Pump | 1 |
| 7 | 0899-A4-54S1 | Faceplate | 1 |
| 8 | 0899-DB-22CB | Fixing Bracket | 1 |
| 9 | 0899-DC-5400 | Screw | 1 |
| 10 | 0899-DD-54S1 | Support | 1 |
| 11 | 0899-DF-5400 | Hex Nut | 1 |
| 12 | 0899-DG-5100 | Gasket | 1 |
| 13 | 0803-2G-54S1 | Spout Tube | 1 |
| 14 | 0899-2E-54S1 | Pump Head Cover | 1 |
| 15 | 0899-2F-7500 | Pump Head | 1 |
| 16 | F026-00-7500 | Plastic Anchor | 2 |
| 17 | F026-04-5400 | Screw | 2 |
| 18 | F026-X0-38ZP | Hex Key | 1 |
| 19 | 7810-FB-80S1 | Cover | 1 |
| 20 | F026-28-5400 | Set Screw | 1 |