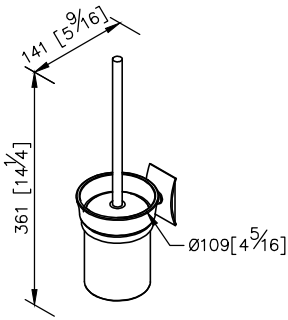


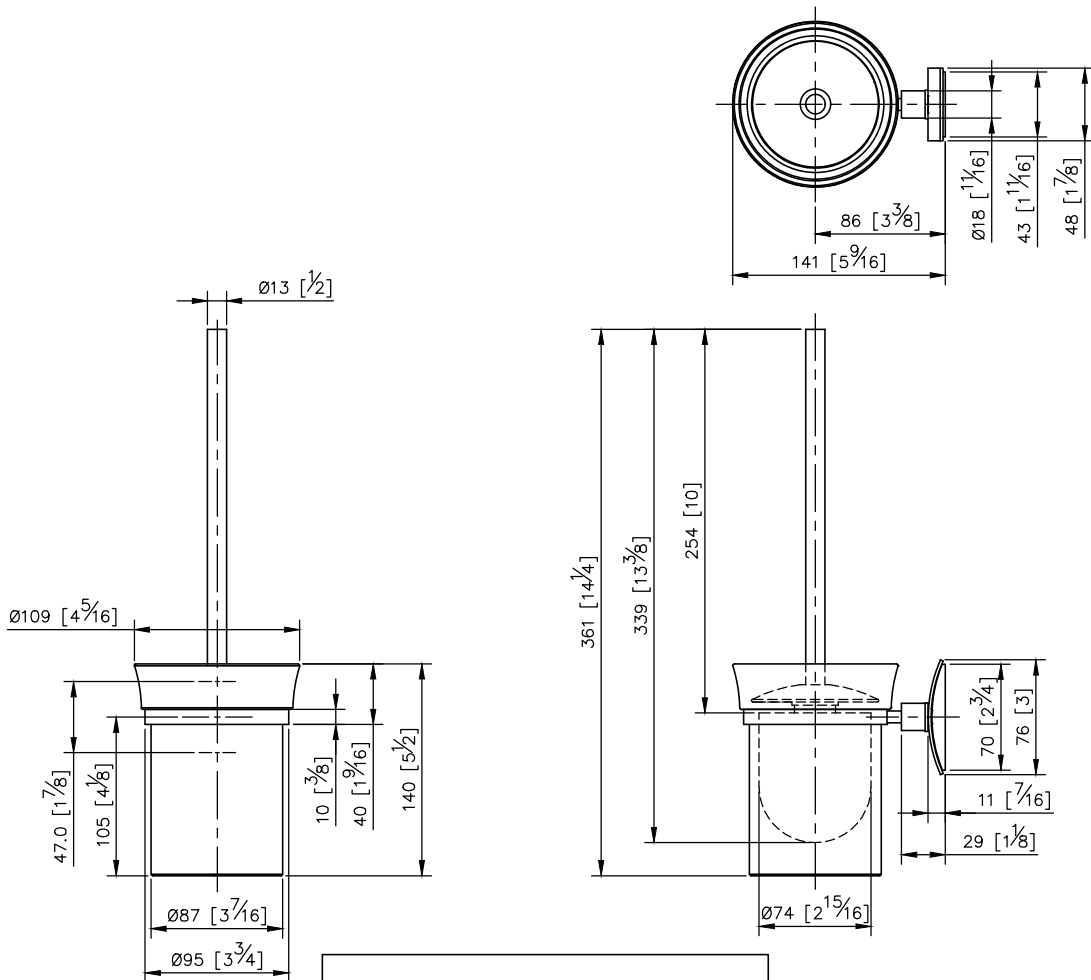
Toilet Brush Holder

6899-81-80S1

1. Stainless steel faceplate.
2. Plastic faceplate with brass core.
3. Stainless Steel faceplate and ring meet SUS 304 standard.
4. Premium metal construction for durability.
5. Justime finishes resist corrosion and tarnish.
6. Finish meets the standard of ASTM-SC2.
7. Porcelain white toilet brush holder .
8. After well installed holder can load up to 2 Kgf.
9. Coordinates with other products in 6899 collection.



unit: mm[inch]



Mounting Template Specification

