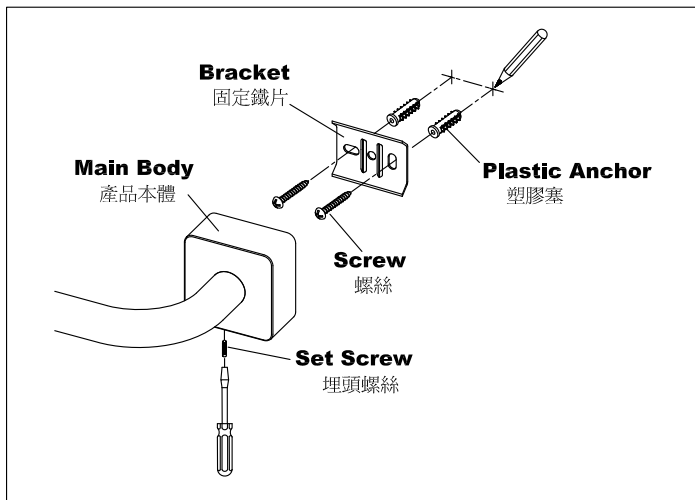


# INSTALLATION INSTRUCTIONS

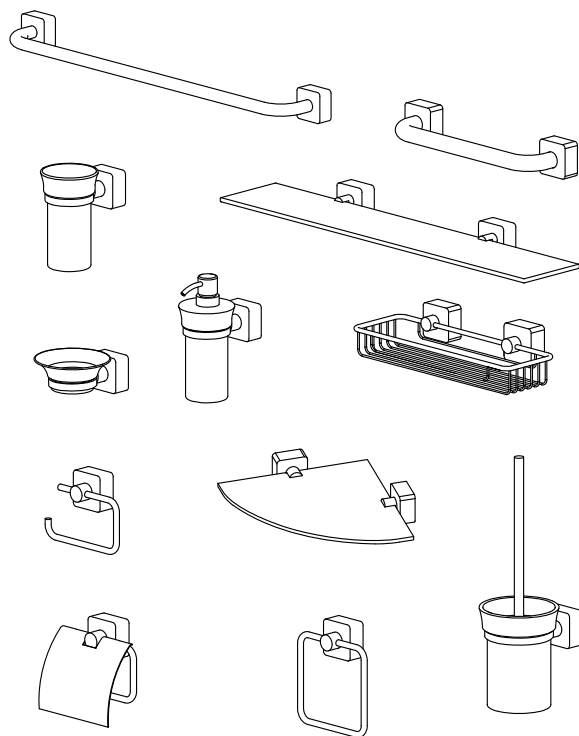
## 6900安裝說明

1. Use **Bracket** as template to locate appropriate drilling centers with pencil.  
使用固定鐵片和鉛筆在預定鑽孔的位置,畫上記號。
2. Use 6mm drilling bit to drill holes in your marked locations, when mounting on drywall, insert **Plastic Anchors**.  
當安裝在水泥牆,使用1/4英寸鑽頭,鑽孔深度4公分,嵌入塑膠塞並使之齊平於牆面。
3. Attach **Bracket** to wall with **Wall Screws**.  
將固定鐵片以螺絲鎖在牆面上。
4. Locate the **Main Part** on the **Bracket** and secure with **Set Screw**.  
在固定鐵片上面掛住產品本體,並以螺絲起子由下方鎖緊埋頭螺絲,完成安裝程序。



6900  
SERIES:

PATENT NUMBER:  
專利號碼:  
000861745-0004  
D129106



JUSTIME | 巧時代 | ST SHENG TAI BRASSWARE CO., LTD.

www.justime.com

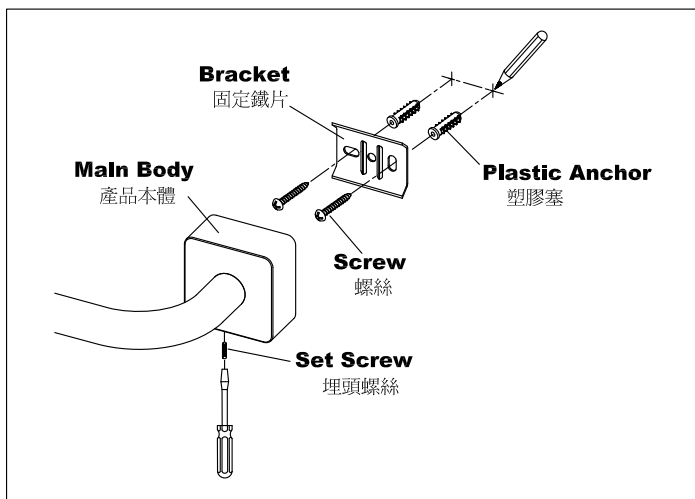
001 300609

PU69-00-ST00  
MADE IN TAIWAN

# INSTALLATION INSTRUCTIONS

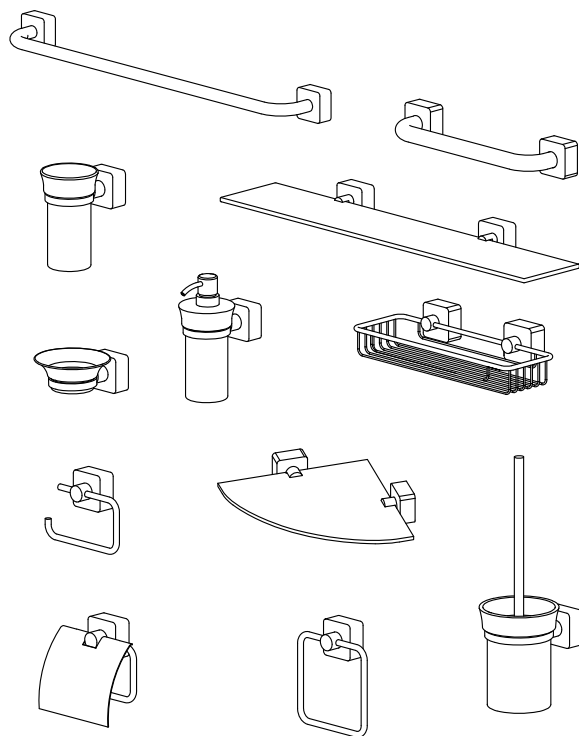
## 6900安裝說明

1. Use **Bracket** as template to locate appropriate drilling centers with pencil.  
使用固定鐵片和鉛筆在預定鑽孔的位置,畫上記號。
2. Use 6mm drilling bit to drill holes in your marked locations, when mounting on drywall, insert **Plastic Anchors**.  
當安裝在水泥牆,使用1/4英寸鑽頭,鑽孔深度4公分,嵌入塑膠塞並使之齊平於牆面。
3. Attach **Bracket** to wall with **Wall Screws**.  
將固定鐵片以螺絲鎖在牆面上。
4. Locate the **Main Part** on the **Bracket** and secure with **Set Screw**.  
在固定鐵片上面掛住產品本體,並以螺絲起子由下方鎖緊埋頭螺絲,完成安裝程序。



6900  
SERIES:

PATENT NUMBER:  
專利號碼:  
000861745-0004  
D129106



JUSTIME | 巧時代 | ST SHENG TAI BRASSWARE CO., LTD.

www.justime.com

001 300609

PU69-00-ST00  
MADE IN TAIWAN