

PATENT NUMBER:

專利號碼:  
US D615,621 S  
ZL 2009 3 0009121.2  
001116552-0003  
D134745  
D131979

## INSTALLATION INSTRUCTIONS

### Floor-Mounted Bath Mixer 立地式浴缸龍頭安裝說明

#### CAUTION : Risk Of Product Damage.

注意：為增加產品使用壽命，請依說明清潔供水管路。

Remove the aerator and fully turn on the faucet and run for 1 minute after finish installation, then turn off the water and reinstall the aerator.

完成安裝之後，把起泡器移開，把水全部轉開持續一分鐘，然後把水關掉再把起泡器裝回去。

1. Ensure the available distance between bottom of **Shoe Elbow Stand** and floor should be 8cm~10.5cm when paving (please find the scale of **Plastic Guard** for reference) as Fig.1 shown.

本產品適用地板高度為8cm~10.5cm之間，鋪地板時，可參考保護蓋的刻痕。如圖1。

2. Installation of **Shoe Elbow Stand**

安裝固定座

a) Connect two of **Shoe Elbow Stand** with **Connecting Stick**. Keep the distance of two **Shoe Elbow Stands** be 15cm(6") as fig.2-a shown.

取下連接桿外側的螺帽，與固定座組合，組合後固定座需確認中心距為15cm(6")。

b) Fixing the **Shoe Elbow Stands** on the floor with provided **Stainless Steel Anchors**, ensure both of the two **Shoe Elbow Stands** are level and at a distance of 15cm(6").

使用膨脹螺絲將固定座緊固於地面，需先確認水平無誤，並且中心距為15cm(6")。

c) Connect the water supply pipe with **Shoe Elbow Stand** and ensure the direction hot/cold water supply direction and position of the bathtub and position of hot/cold water is relative to the bathtub.

接上冷熱水管路，需注意冷熱方向與浴缸的相關位置，如圖2-c。

3. Installation of **Main Body & Hand Shower**

安裝龍頭和花灑

a) Remove the **Plastic Guards** and insert **Connectors** into the holes of **Shoe Elbow Stand**, and then tighten tube nut with **Shoe Elbow Stand** by wrench as Fig.3-a shown.

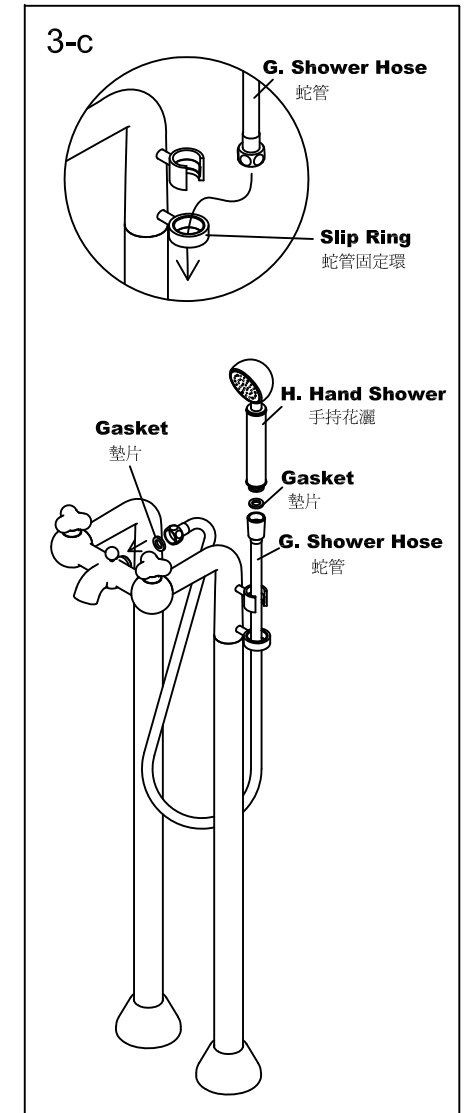
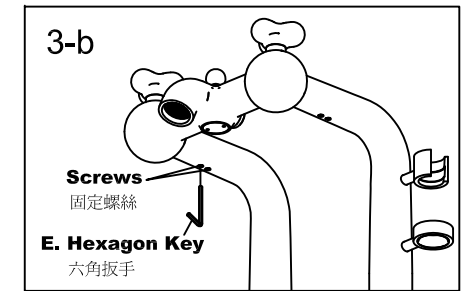
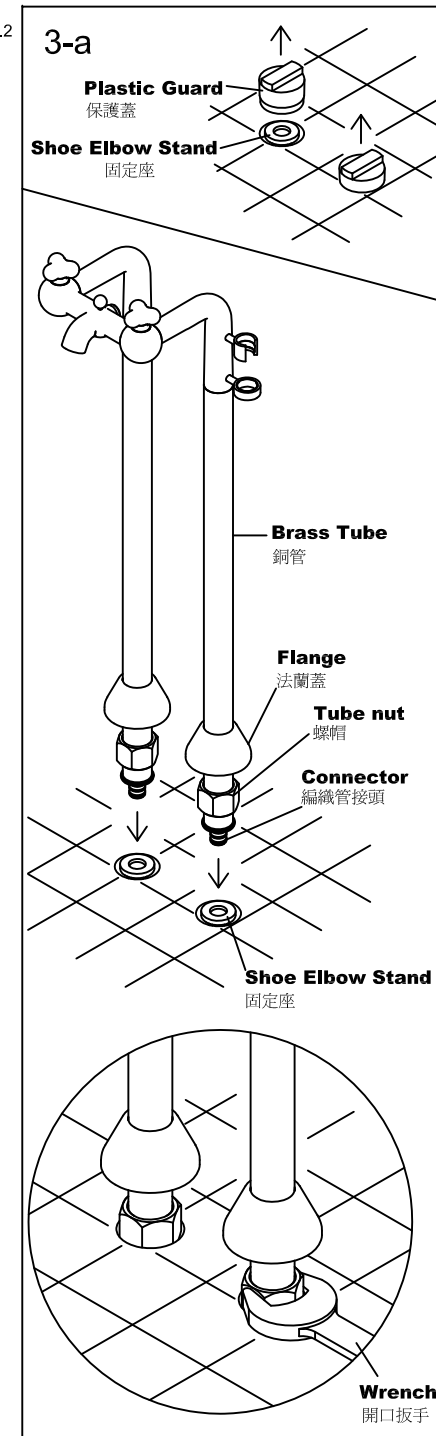
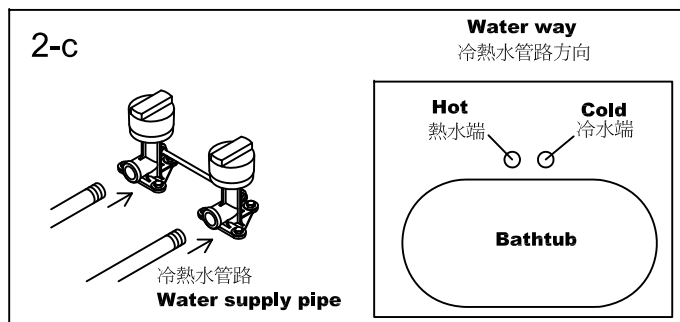
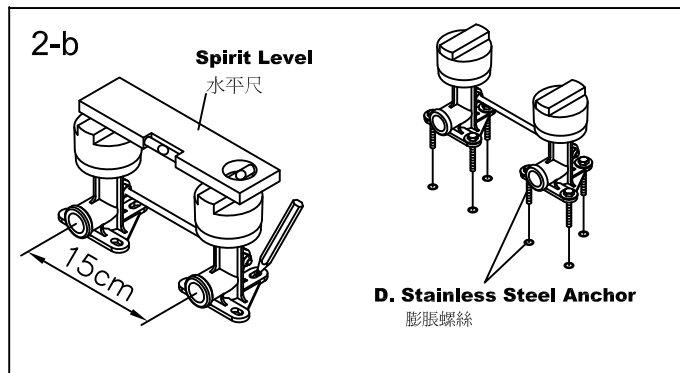
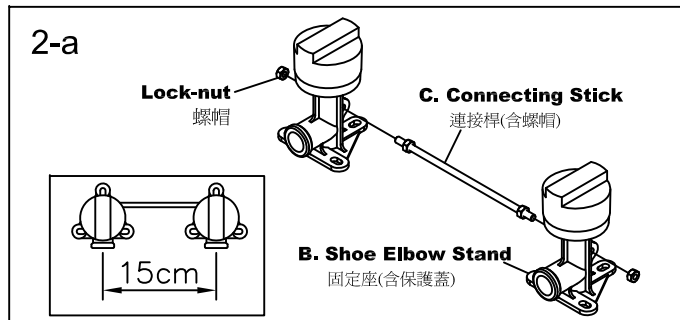
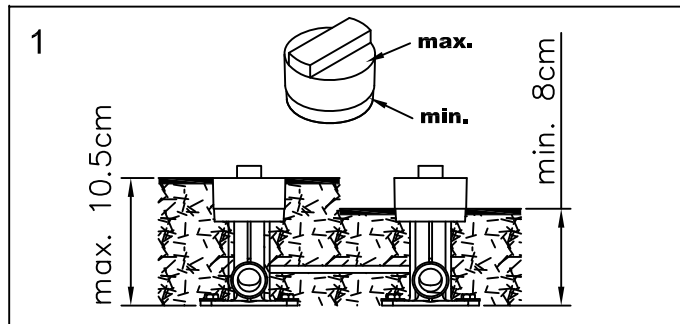
取出保護蓋，然後將銅管對準固定座，使編織管接頭插入固定座內孔，然後用工具鎖緊螺帽，如圖3-a。

b) Ensure all the set screws are tight and fixed well.

如圖3-b，確認龍頭下方的固定螺絲全部有鎖緊。

c) Pierce the **Shower Hose** through the slip ring, and connect the **Shower Hose** with **Hand Shower** (with Gasket) and **Main Body** (with Gasket) as Fig.3-c shown.

將蛇管穿過蛇管固定環，再將蛇管連同墊片固定在手持花灑與龍頭本體，如圖3-c。



## FIXING CONTENTS

組配件內容

