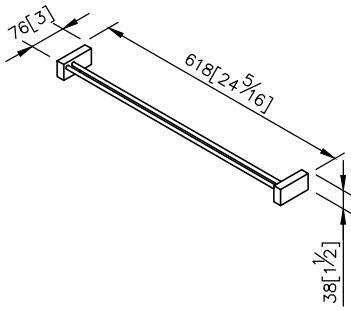


Towel Bar
6908-10-80CP



- 1.Brass mounting base and towel bar meet JIS 3604 standard.
- 2.Justime finishes resist corrosion and tarnish.
- 3.Chrome plated finish meets the standard of ASTM-SC2.
- 4.Vertical force could support a static load of 4 Kgf.
- 5.The size of towel bar: 600mm.
- 6.Coordinates with other products in 6908 collection.

unit: mm[inch]

