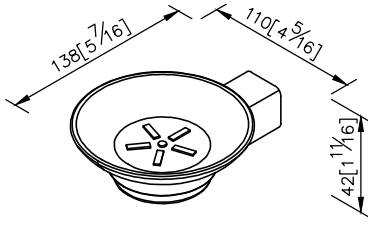
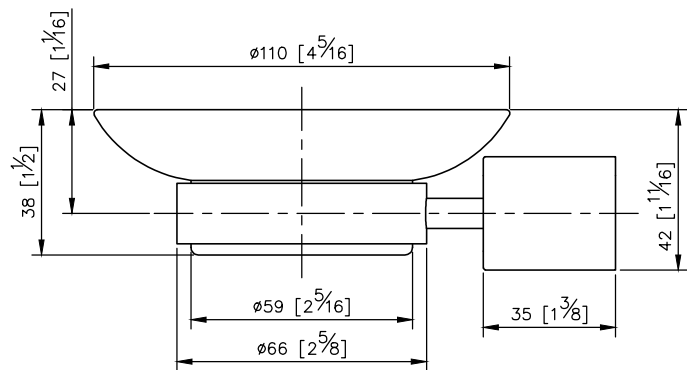
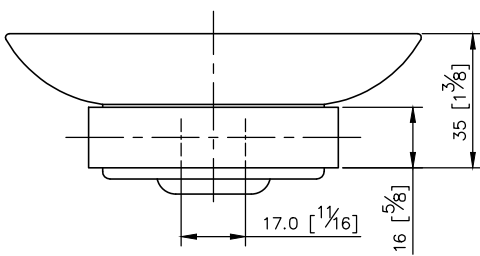
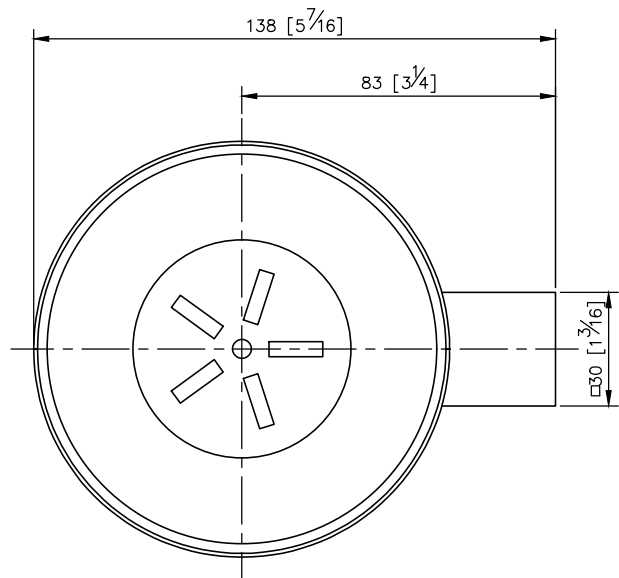


Soap Dish
6909-21-80CP



- 1.Brass mounting base meets JIS 3604 standard.
- 2.Brass forging ring meets JIS 3771 standard.
- 3.Justime finishes resist corrosion and tarnish.
- 4.Chrome plated finish meets the standard of ASTM-SC2.
- 5.Vertical force could support a static load of 2 Kgf.
- 6.Clear glass soap dish.
- 7.Coordinates with other products in 6909 collection.

unit: mm[inch]



Mounting Template Specification

