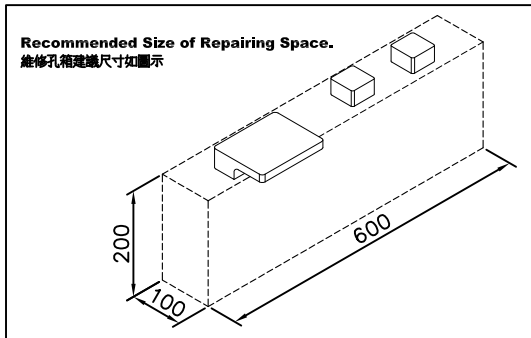


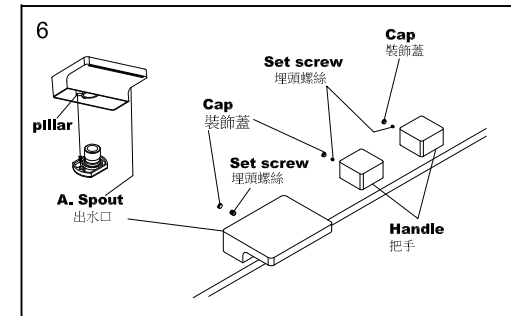
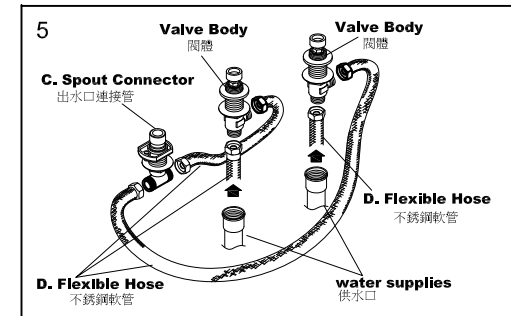
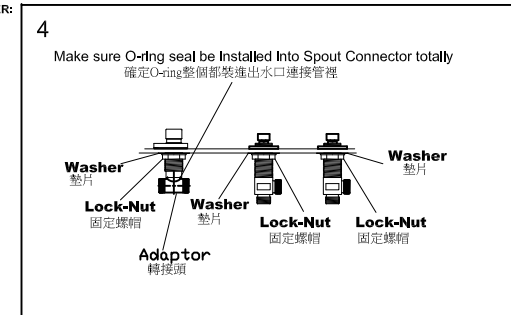
INSTALLATION INSTRUCTIONS

Two Handle Bathtub Faucet 浴缸龍頭安裝說明

- Drill 4 holes on appropriate position as Fig.1 shown.
如 Fig.1 所示在適當的位置鑽4個孔。
- Disassemble **Washer, Lock-Nut and Adaptor** from **Spout Connector** before install as Fig.2 shown.
如 Fig.2 所示，組裝前將墊片，螺帽及轉接頭從出水口連接管拆下。
- Disassemble **Cap, Set screws, Handles and Valve-Nuts** from **Valves** before install as fig.2 shown.
如 Fig.2 所示安裝前將裝飾蓋，埋頭螺絲，把手及螺帽從閥體拆下。
- Insert the **Valve Bodies** from below through the $\varnothing 35\text{mm}(1.38\text{'})$ holes and fasten the **Valve-Nuts**, then secure the **Valve Bodies** by tightening the **Lock-Nuts** with Washers as Fig.3 & Fig.4 shown .
如 Fig.3 與 Fig.4 所示將閥體從下方穿過 $\varnothing 35\text{mm}(1.38\text{'})$ 的孔並且鎖入閥體螺帽，然後鎖緊固定螺帽和墊片來固定閥體。
- Insert the **Connector** through the $\varnothing 35\text{mm}(1.38\text{'})$ hole and position the small fixing-hole, then secure **Spout Connector** by tightening **Lock-Nut** with **Washer** and make sure **O-ring seal** be installed into **Spout Connector** totally after assemble Adaptor as Fig.3 & Fig.4 shown .
如 Fig.3 與 Fig.4 所示將連接管穿過 $\varnothing 35\text{mm}(1.38\text{'})$ 的孔並且定位在小定位孔，然後鎖緊固定螺帽和墊片來固定連接管，並且在裝好轉接頭之後確認O-ring 整個被裝入出水口連接管裡。
- Connect **Valve Bodies** to **Spout Connector** and **water supplies** with **Flexible Hoses** provided as Fig.5 shown.
如 Fig.5 所示用不銹鋼軟管連接把手含閥體到出水口連接管及供水口。
- Locate **Spout** onto **Spout Connector** and make sure the **pillar** under **Spout** has been inserted into the hole of **Top Mounting-Nut**, then tighten **Set screw** and cover the hole with **Cap** as Fig.6 shown.
如 Fig.6 所示將出水口安裝在出水口連接管上並確定出水口的柱子有裝進定位螺帽的孔，然後鎖緊埋頭螺絲並用裝飾蓋蓋住螺絲孔。
- Locate **Handles** onto **Valves** then tighten **Set screws** into the hole (which located on **Spine adaptor**) as below shown then cover the handle holes with **Cap** as Fig.6 shown.
如 Fig.6 所示將把手安裝在閥體上然後埋頭螺絲對準洞鎖緊並用裝飾蓋蓋住螺絲孔。



PATENT NUMBER:
專利號碼:
D129233



FIXING CONTENTS

組配件內容

