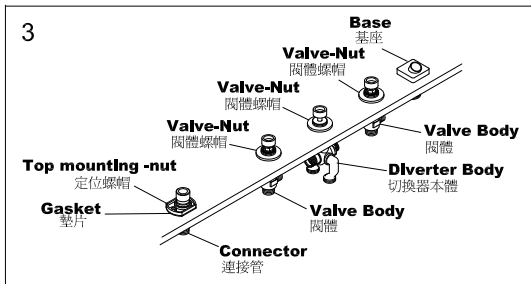
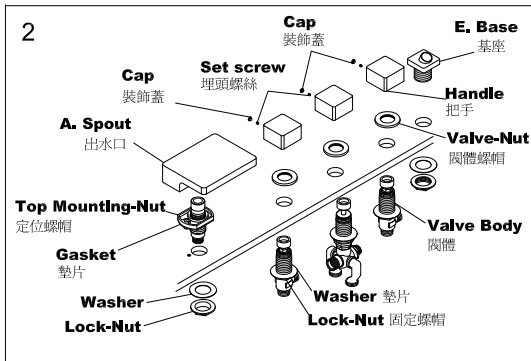
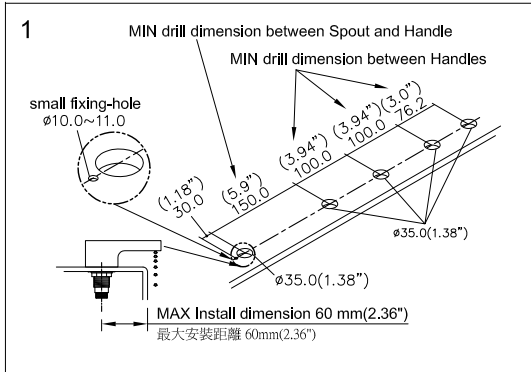


# INSTALLATION INSTRUCTIONS

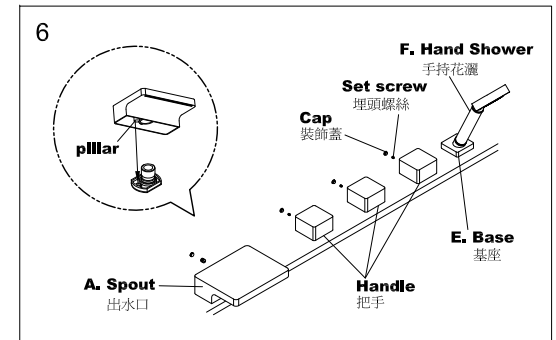
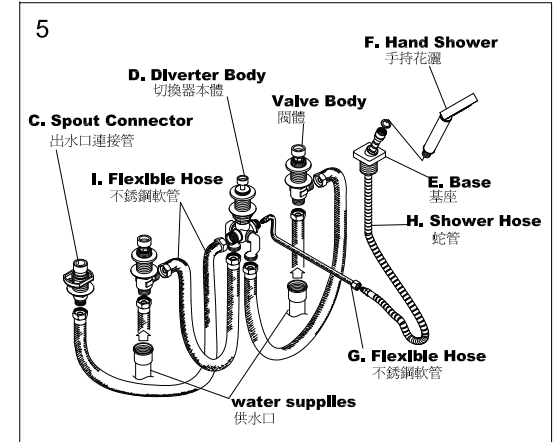
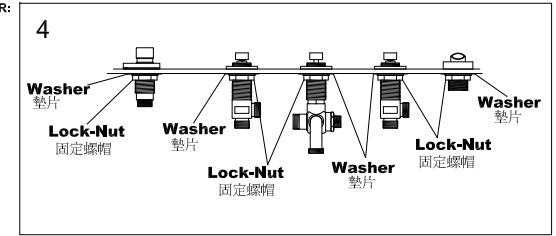
## Three Handle Bathtub Faucet 浴缸龍頭安裝說明

PATENT NUMBER:

專利號碼:  
D120297  
D129233



- Drill 5 holes on appropriate position as Fig.1 shown.  
如 Fig.1 所示在適當的位置鑽4個孔。
- Disassemble **Washer, Lock-Nut and Adaptor** from **Spout Connector**. Disassemble **Cap, Set screws, Handles and Valve-Nuts** from **Valves**. Disassemble **Lock-Nuts and Washer** from **Base** before Install as fig.2 shown.  
如 Fig.2 所示，組裝前將墊片、螺帽及轉接頭從出水口連接管拆下，將裝飾蓋、埋頭螺絲、把手及螺帽從閥體拆下。將固定螺帽及墊片從基座上拆下。
- Insert the **Valve Bodies** and **Diverter Body** from below through the  $\phi 35\text{mm}$ (1.38") holes and fasten the **Valve-Nuts**, then secure the **Valve Bodies** and **Diverter Body** by tightening the **Lock-Nuts with Washers** as Fig.3 & Fig.4 shown .  
如 Fig.3 與 Fig.4 所示將閥體從下方穿過 $\phi 35\text{mm}$ (1.38")的孔並且鎖入閥體螺帽，然後鎖緊固定螺帽和墊片來固定閥體。
- Insert the **Connector** through the  $\phi 35\text{mm}$ (1.38") hole and position the small fixing-hole, then secure **Spout Connector** by tightening **Lock-Nut with Washer** and make sure **O-ring seal** be Installed Into **Spout Connector** totally after assemble Adaptor as Fig.3 & Fig.4 shown .  
如 Fig.3 與 Fig.4 所示將連接管穿過 $\phi 35\text{mm}$ (1.38")的孔並且定位在小定位孔，然後鎖緊固定螺帽和墊片來固定連接管，並且在裝好轉接頭之後確認O-ring 整個被裝入出水口連接管裡。
- Place the **Base** down into the  $\phi 35\text{mm}$ (1.38") holes and secure by tightening the **Lock-Nut with Washer** as Fig.3 & Fig.4 shown .  
如 Fig.3 與 Fig.4 所示將基座放在 $\phi 35\text{mm}$ (1.38")的孔上並且鎖緊固定螺帽和墊片來固定基座。
- Connect **Valve Bodies** to **Diverter Body** and water supplies with **Flexible Hoses**. Connect **Diverter** to **Spout Connector** and **Hand Shower** with **Flexible Hoses** and **Shower Hose** as Fig.5 shown.  
如 Fig.5 所示用不銹鋼軟管連接閥體到出水口連接管及供水口。用不銹鋼軟管及蛇管連接切換器到出水口連接管及手持花灑。
- Locate **Spout** onto **Spout Connector** and make sure the **pillar** under **Spout** has been inserted into the hole of **Top Mounting-Nut**, then tighten **Set screw** and cover the hole with **Cap** as Fig.6 shown.  
如 Fig.6 所示將出水口安裝在出水口連接管上並確定出水口的柱子有裝進定位螺帽的孔，然後鎖緊埋頭螺絲並用裝飾蓋蓋住螺絲孔。
- Locate **Handles** onto **Valves** then tighten **Set screws** into the hole ( which located on Spline adaptor ) as below shown then cover the handle holes with **Cap** as Fig.6 shown.  
如 Fig.6 所示將把手安裝在閥體上然後埋頭螺絲對準洞鎖緊並用裝飾蓋蓋住螺絲孔。



## FIXING CONTENTS

組配件內容

