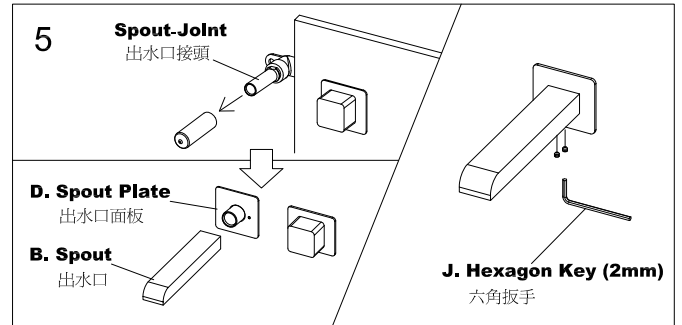
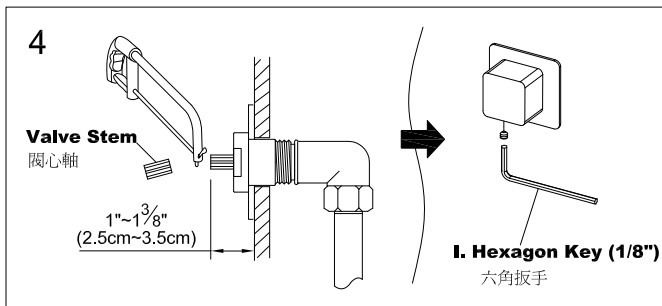
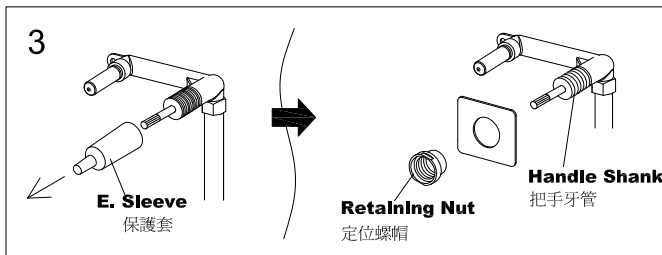
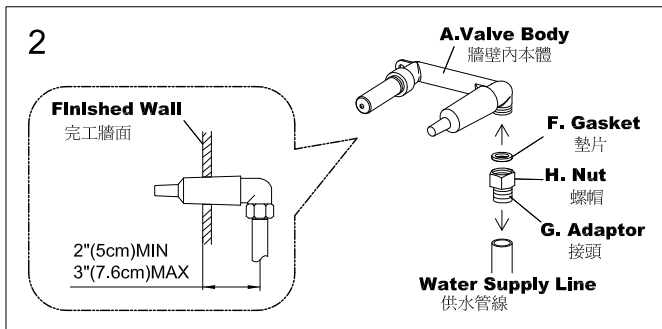
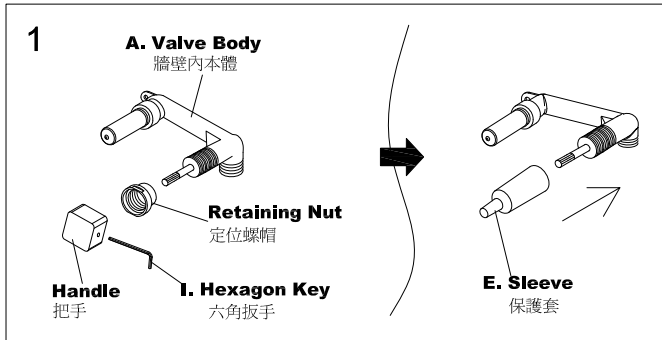


INSTALLATION INSTRUCTIONS

Single-Handle (Cold Only) Lavatory Wall-Mounted Faucet 單把手嵌牆式面盆龍頭安裝說明(冷水專用)



CAUTION : Risk Of Product Damage.

注意：為增加產品使用壽命，請依說明清潔供水管路。
Remove the aerator and fully turn on the faucet and run for 1 minute after finish installation, then turn off the water and reinstall the aerator.
完成安裝之後，把起泡器移開，把水全部轉開持續一分鐘，然後把水關掉再把起泡器裝回去。

NOTE: Disassemble the **Handle** and **Retaining Nut** from the Valve Body First. Using the **Sleeve** provided to protect the external threads while installation if required. (Fig.1)

注意：安裝前，先將把手與定位螺帽從本體鬆開。如須使用隨附塑膠保護套保護陶瓷中心栓，必須在安裝程序前先套好。

- Pay attention to minimum 2" (5cm) and maximum 3" (7.6cm) dimensions for mounting information as shown. (Fig.2)
牆壁內本體與牆面的距離須保持在最小2"(5cm)到最大3"(7.6cm)之間，此為安裝時的必要條件。
- Install **Valve Body** and water supply Line. (Fig.2)
安裝牆壁內本體和供水管線。
- Carefully take off **Sleeve** from **Valve Body**. Locate the **Handle Plate** onto the **Handle Shanks** and fasten the **Retaining nuts** to attach the **Handle Plate** in place. (Fig.3)
組裝前，小心取下塑膠保護套。將把手面板套入牙管，並用定位螺帽鎖緊牙管，使把手面板與牆壁完全貼合固定。
- Cut overlong **Valve Stem** to certain length (1/4" ~5/8" or 0.6cm ~ 1.6cm) as fig.4 shown. Press Handles over the **Valve Stem** to proper position and tighten setscrew. (Fig.4)
如圖4，依需要可切除過長的閥心軸。然後將把手壓入閥心軸，到適當的位置，並鎖緊埋頭螺絲將把手固定。
- Carefully take off plastic-cover from **Spout-Joint** before assemble **Spout Plate** onto **Valve Body**. (Fig.5)
組裝面板蓋之前，請小心取下本體中心出水口接頭上的塑膠保護蓋。
- Before joint the **Spout** onto **Spout-Joint**, please unwound the **Spout** set screws to prevent any potential damage to **Spout Joint**, ensure the **Spout** is pressed tighten close to **Spout Plate** then fasten set screw.
先將出水口上的埋頭螺絲鬆開，避免出水口接頭在組裝時碰傷。將出水口套入出水口接頭後，用六角扳手將下方的埋頭螺絲鎖緊即可。

FIXING CONTENTS

組配件內容

