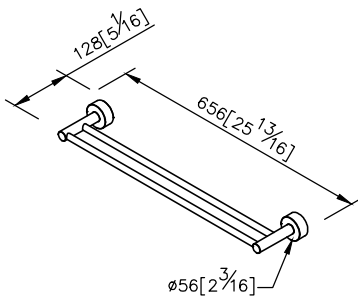


Double Towel Bar 6910-14-80CP



1. Brass forging mounting base meets JIS 3771 standard.
2. Stainless steel towel bar meets SUS 304 standard.
3. Justime finishes resist corrosion and tarnish.
4. Chrome plated finish meets the standard of ASTM-SC2.
5. Correctly installed product loading is 4 kgf.
6. The size of towel bar: 600mm.
7. Coordinates with other products in 6910 collection.

unit: mm[inch]

