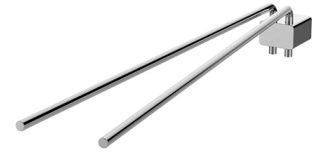


## Mark 3

### Swivel Double Towel Bar 6919-12-80CP

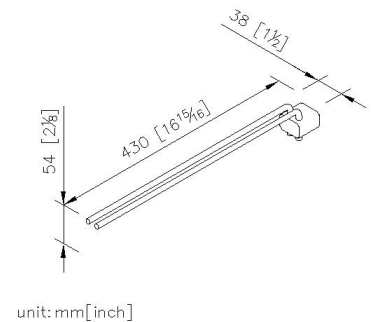
#### INTRODUCTION:

With simplicity in mind, the design concept shows the exquisite savor with clear lines.



#### DESCRIPTION:

- 1.Brass material meets JIS 3604 standard.
- 2.Premium metal construction for durability.
- 3.Justime finishes resist corrosion and tarnish.
- 4.Chrome plated finish meets the standard of ASTM-SC2.
- 5.Vertical force could support a static load of 4 Kgf.
- 6.The towel bar could be swiveled by user request and add the space for bathroom environment.
- 7.Coordinates with other products in 6919 collection.



#### Certification:

#### Fixing Kits:

- 1.SUS 304 Stainless Steel Screws \*2
- Hex Key 2.5mm \*1
- Plastic Anchors \*2
- Material of Wall Mount Bracket: Copper JIS3771 \*1

#### AWARD: