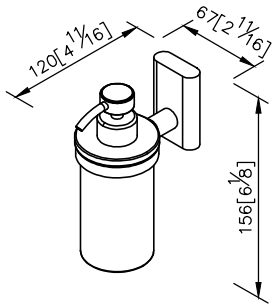
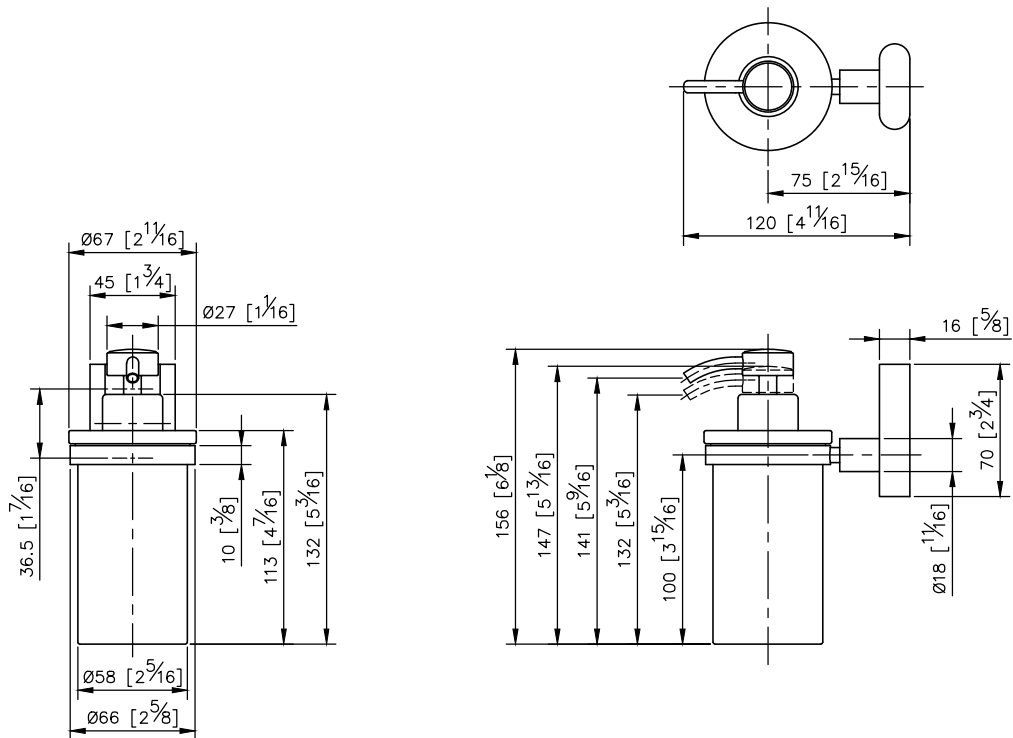


Soap Dispenser
6920-25-80CP



- 1.Brass of forging faceplate and ring meet JIS 3771 standard.
- 2.Brass bracket meets the standard of JIS 3604.
- 3.Justime finishes resist corrosion and tarnish.
- 4.Chrome plated finish meets the standard of ASTM-SC2.
- 5.Frosted glass soap dispenser increases visual softness.
- 6.Vertical force could support a static load of 2 Kgf.
- 7.Capacity of soap dispenser is 180ml.
- 8.Coordinates with other products in 6920 collection.

unit: mm[inch]



Mounting Template Specification

