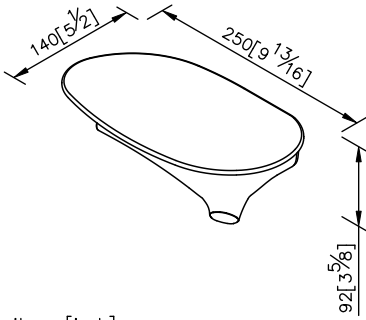


Toilet Tissue Holder W/Lid
6927-41-80CP



unit: mm[inch]

1. Material of sand-casting body meets ISO CuZn40Pb standard.
2. Loading: 5 kgf.
3. Place toilet paper roll from left hand side.
4. Brass with chrome-plated; SC2 standard of ASTM for 3 years guarantee; pass 96 hours Salt Spray Test.
5. With shelf.
6. Product is suitable for toilets of public spaces.
7. Material of Wall Bracket: Copper JIS3604 with chrome plating.
8. Material of Screw : Stainless steel SUS 304.
9. Material of Wall Mount Bracket: Copper JIS3604.
10. Material: Artificial Stone.

